

**WFM6120, WFM7020, WFM7120,
WFM6100 Opt. MB, WFM7000 Opt. MB, and
WFM7100 Opt. MB
Waveform Monitors
Service Manual**



077-0081-01

Tektronix

**WFM6120, WFM7020, WFM7120,
WFM6100 Opt. MB, WFM7000 Opt. MB, and
WFM7100 Opt. MB
Waveform Monitors
Service Manual**

Warning

The servicing instructions are for use by qualified personnel only. To avoid personal injury, do not perform any servicing unless you are qualified to do so. Refer to all safety summaries prior to performing service.

www.tektronix.com

077-0081-01

Tektronix

Copyright © Tektronix. All rights reserved. Licensed software products are owned by Tektronix or its subsidiaries or suppliers, and are protected by national copyright laws and international treaty provisions.

Tektronix products are covered by U.S. and foreign patents, issued and pending. Information in this publication supersedes that in all previously published material. Specifications and price change privileges reserved.

TEKTRONIX and TEK are registered trademarks of Tektronix, Inc.

Contacting Tektronix

Tektronix, Inc.
14200 SW Karl Braun Drive
P.O. Box 500
Beaverton, OR 97077
USA

For product information, sales, service, and technical support:

- In North America, call 1-800-833-9200.
- Worldwide, visit www.tektronix.com to find contacts in your area.

Warranty

Tektronix warrants that this product will be free from defects in materials and workmanship for a period of one (1) year from the date of shipment. If any such product proves defective during this warranty period, Tektronix, at its option, either will repair the defective product without charge for parts and labor, or will provide a replacement in exchange for the defective product. Parts, modules and replacement products used by Tektronix for warranty work may be new or reconditioned to like new performance. All replaced parts, modules and products become the property of Tektronix.

In order to obtain service under this warranty, Customer must notify Tektronix of the defect before the expiration of the warranty period and make suitable arrangements for the performance of service. Customer shall be responsible for packaging and shipping the defective product to the service center designated by Tektronix, with shipping charges prepaid. Tektronix shall pay for the return of the product to Customer if the shipment is to a location within the country in which the Tektronix service center is located. Customer shall be responsible for paying all shipping charges, duties, taxes, and any other charges for products returned to any other locations.

This warranty shall not apply to any defect, failure or damage caused by improper use or improper or inadequate maintenance and care. Tektronix shall not be obligated to furnish service under this warranty a) to repair damage resulting from attempts by personnel other than Tektronix representatives to install, repair or service the product; b) to repair damage resulting from improper use or connection to incompatible equipment; c) to repair any damage or malfunction caused by the use of non-Tektronix supplies; or d) to service a product that has been modified or integrated with other products when the effect of such modification or integration increases the time or difficulty of servicing the product.

THIS WARRANTY IS GIVEN BY TEKTRONIX WITH RESPECT TO THE PRODUCT IN LIEU OF ANY OTHER WARRANTIES, EXPRESS OR IMPLIED. TEKTRONIX AND ITS VENDORS DISCLAIM ANY IMPLIED WARRANTIES OF MERCHANTABILITY OR FITNESS FOR A PARTICULAR PURPOSE. TEKTRONIX' RESPONSIBILITY TO REPAIR OR REPLACE DEFECTIVE PRODUCTS IS THE SOLE AND EXCLUSIVE REMEDY PROVIDED TO THE CUSTOMER FOR BREACH OF THIS WARRANTY. TEKTRONIX AND ITS VENDORS WILL NOT BE LIABLE FOR ANY INDIRECT, SPECIAL, INCIDENTAL, OR CONSEQUENTIAL DAMAGES IRRESPECTIVE OF WHETHER TEKTRONIX OR THE VENDOR HAS ADVANCE NOTICE OF THE POSSIBILITY OF SUCH DAMAGES.

[W2 – 15AUG04]

Table of Contents

General Safety Summary	v
Service Safety Summary	vii
Preface	ix
Manual Conventions	ix
Related Manuals	x

Introduction

Introduction	1-1
Service Strategy	1-1
Specifications	1-1
Performance Verification	1-1
Options and Accessories	1-1
Configurations	1-1
Hardware Installation	1-2
Product Upgrade	1-2
Operating Information	1-2

Theory of Operation

Theory of Operation	2-1
Main Board	2-2
Front Panel	2-4
Composite Input Option CPS	2-4
Audio Options Options AD and DDE	2-4
Option EYE/PHY	2-6
Option 3G/JIT	2-8
Fan Control	2-10
Power Supply and Distribution	2-10

Adjustment Procedures

Adjustments	3-1
Required Equipment	3-1
Procedures	3-2

Maintenance

General Maintenance.....	4-1
Preventing ESD.....	4-1
Inspection and Cleaning.....	4-2
Troubleshooting.....	4-5
Detailed Troubleshooting Procedures.....	4-13
Removal and Replacement Procedures.....	4-27
Preparation.....	4-27
Module Removal.....	4-28
Repackaging Instructions.....	4-38
Packaging.....	4-38
Shipping to the Service Center.....	4-38

Replacable Parts

Replaceable Parts.....	5-1
Parts Ordering Information.....	5-1
Using the Replaceable Parts Lists.....	5-2

List of Figures

Figure 2-1: Main block diagram	2-2
Figure 2-2: Option EYE/PHY block diagram	2-7
Figure 2-3: Option 3G/JIT block diagram	2-9
Figure 4-1: Main board power supply test points and LEDs	4-24
Figure 4-2: Audio Main board power supply test point locations.....	4-25
Figure 4-3: Analog audio board power supply test point locations	4-26
Figure 4-4: Module securing screws	4-30
Figure 4-5: Front panel cable connections.....	4-33
Figure 4-6: Front panel disassembly	4-34
Figure 4-7: LCD Assembly bracket and backlight lock.....	4-35
Figure 4-8: Backlight removal (B030000 and above).....	4-36
Figure 5-1: Circuit boards and connectors.....	5-5
Figure 5-2: Chassis components (B030000 and above).....	5-7
Figure 5-3: Chassis components (B029999 and below).....	5-9
Figure 5-4: Main board replaceable components	5-11
Figure 5-5: Analog audio breakout cable assembly	5-12

List of Tables

Table i: Related Documentation	x
Table 4-1: External inspection check list	4-3
Table 4-2: Internal inspection check list	4-4
Table 4-3: Required test equipment	4-6
Table 4-4: Symptoms and causes	4-7
Table 4-5: Main board secondary supplies	4-15
Table 4-6: Audio main board secondary supplies.....	4-15
Table 4-7: Analog audio secondary supplies (board not present for option DS instrument).....	4-16
Table 4-8: Advanced diagnostic measurements.....	4-20
Table 4-9: Tools required for module removal	4-27
Table 4-10: Module removal	4-28
Table 5-1: Circuit boards and connectors (See Figure 5-1.)	5-2
Table 5-2: Chassis components (B030000 and above) (See Figure 5-2.)	5-6
Table 5-3: Chassis components (B029999 and below) (See Figure 5-3.)	5-8
Table 5-4: Replaceable parts list (See Figure 5-4.)	5-10
Table 5-5: Replaceable parts list (See Figure 5-5.)	5-12
Table 5-6: Accessories	5-13

General Safety Summary

Review the following safety precautions to avoid injury and prevent damage to this product or any products connected to it.

To avoid potential hazards, use this product only as specified.

Only qualified personnel should perform service procedures.

While using this product, you may need to access other parts of a larger system. Read the safety sections of the other component manuals for warnings and cautions related to operating the system.

To Avoid Fire or Personal Injury

Use Proper Power Cord. Use only the power cord specified for this product and certified for the country of use.

Connect and Disconnect Properly. Do not connect or disconnect probes or test leads while they are connected to a voltage source.

Ground the Product. This product is grounded through the grounding conductor of the power cord. To avoid electric shock, the grounding conductor must be connected to earth ground. Before making connections to the input or output terminals of the product, ensure that the product is properly grounded.

Observe All Terminal Ratings. To avoid fire or shock hazard, observe all ratings and markings on the product. Consult the product manual for further ratings information before making connections to the product.

Do not apply a potential to any terminal, including the common terminal, that exceeds the maximum rating of that terminal.

Power Disconnect. The power cord disconnects the product from the power source. Do not block the power cord; it must remain accessible to the user at all times.

Do Not Operate Without Covers. Do not operate this product with covers or panels removed.

Do Not Operate With Suspected Failures. If you suspect that there is damage to this product, have it inspected by qualified service personnel.

Avoid Exposed Circuitry. Do not touch exposed connections and components when power is present.

Replace Batteries Properly. Replace batteries only with the specified type and rating.

Use Proper Fuse. Use only the fuse type and rating specified for this product.

Wear Eye Protection. Wear eye protection if exposure to high-intensity rays or laser radiation exists.

Do Not Operate in Wet/Damp Conditions.

Do Not Operate in an Explosive Atmosphere.

Keep Product Surfaces Clean and Dry.

Provide Proper Ventilation. Refer to the manual's installation instructions for details on installing the product so it has proper ventilation.

Terms in this Manual These terms may appear in this manual:



WARNING. *Warning statements identify conditions or practices that could result in injury or loss of life.*



CAUTION. *Caution statements identify conditions or practices that could result in damage to this product or other property.*

Symbols and Terms on the Product

These terms may appear on the product:

- DANGER indicates an injury hazard immediately accessible as you read the marking.
- WARNING indicates an injury hazard not immediately accessible as you read the marking.
- CAUTION indicates a hazard to property including the product.

The following symbol(s) may appear on the product:



Service Safety Summary

Only qualified personnel should perform service procedures. Read this *Service Safety Summary* and the *General Safety Summary* before performing any service procedures.

Do Not Service Alone. Do not perform internal service or adjustments of this product unless another person capable of rendering first aid and resuscitation is present.

Disconnect Power. To avoid electric shock, switch off the instrument power, then disconnect the power cord from the mains power.

Use Care When Servicing With Power On. Dangerous voltages or currents may exist in this product. Disconnect power, remove battery (if applicable), and disconnect test leads before removing protective panels, soldering, or replacing components.

To avoid electric shock, do not touch exposed connections.

Preface

This manual supports servicing to the module level of the WFM6120, WFM7020, and WFM7120 Waveform Monitors, which process video signals for display on an internal XGA LCD. The instrument finds use as a monitor for broadcasting, production, and post-production environments.

This manual explains how to troubleshoot and service the monitor to the module level. The manual is divided into the following sections:

- *Introduction* provides a general product description and tells where to find product installation information.
- *Theory of Operation* provides descriptions of the WFM6120 and WFM7020 Series Waveform Monitors modules.
- *Adjustment Procedures* details the adjustments that can be performed if the instrument is out of specification.
- *Maintenance* tells you how to troubleshoot the product to the module level and how to handle the modules.
- *Replaceable Parts* illustrates the replaceable modules and mechanical parts, and provides replacement part numbers.

Manual Conventions

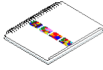
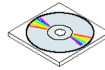

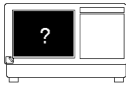

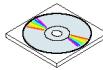
The following terms and conventions are used throughout this manual:

- The term “monitor” is used interchangeably with the more formal term “WFM6120 and WFM7020 Series Waveform Monitors.”
- The term “instrument” is used interchangeably with the term “monitor.”

Related Manuals

This manual assumes you have access to the following manuals when servicing this product. These manuals ship with the product and are also downloadable from the Tektronix Web site.

Table i: Related Documentation

Item	Purpose	Location
<i>WFM6120, WFM7020, WFM7120, WFM6100 Opt. MB, WFM7000 Opt. MB, and WFM7100 Opt. MB Waveform Monitor Quick Start User Manual</i>	Installation and high-level operational overview	  + 
<i>WFM7120 Online Help</i>	In depth operation and UI help	
<i>WFM6120, WFM7020, WFM7120, WFM6100 Opt. MB, WFM7000 Opt. MB, and WFM7100 Opt. MB Waveform Monitor Specifications and Performance Verification</i>	Procedure for checking performance and list of specifications	
<i>WVR & WFM Series Master Information Base</i>	Programmers command reference for controlling the waveform monitor	

Introduction

Introduction

The WFM6120, WFM7020, and WFM7120 Waveform Monitors provide a powerful monitoring solution for broadcast, production, and post-production environments.

Service Strategy

The WFM6120 and WFM7020 Series Waveform Monitors will be repaired to the module level at selected Tektronix service centers. Repair includes functional verification of the product. Component level repair by the customer is not supported.

Specifications

The specifications for this product are found on the *WFM6120, WFM7020, and WFM7120 Documents CD* that ships with the product. (See page x, *Related Manuals*.)

Performance Verification

The Performance Verification procedure for this product is found in the *WFM6120, WFM7020, and WFM7120 Documents CD* that ships with the product. (See page x, *Related Manuals*.)

Options and Accessories

The lists of options and accessories for this product are found in the *WFM6120, WFM7020, WFM7120, WFM6100 Opt. MB, WFM7000 Opt. MB, and WFM7100 Opt. MB Waveform Monitor Quick Start User Manual* that ships with the product. (See page x, *Related Manuals*.)

Configurations

The base instrument accepts optional modules for HD Component inputs (WFM7020 and WFM7120 only - Option HD), SD Component inputs (Option SD), and Analog Composite inputs (Option CPS). At least one of these options must be installed for the monitor to be operational. Other options add audio capability, Eye diagram and physical layer analysis, and 3 Gbps SDI input and jitter analysis capability. For a complete list of options, refer to the *WFM6120, WFM7020, WFM7120, WFM6100 Opt. MB, WFM7000 Opt. MB, and WFM7100 Opt. MB Waveform Monitor Quick Start User Manual*.

Hardware Installation

The waveform monitor is shipped in a wrap-around chassis which covers the instrument bottom and two sides. A cover is installed on the chassis, and the rear panel is made up of the module rear panels. You can operate the waveform monitor in the instrument chassis (the top cover must be installed, for safety and for proper cooling), or installed in an approved portable cabinet or rack adapter. You can also install the waveform monitor in a custom installation, such as a console. For installation instructions, refer to the *WFM6120*, *WFM7020*, *WFM7120*, *WFM6100 Opt. MB*, *WFM7000 Opt. MB*, and *WFM7100 Opt. MB Waveform Monitor Quick Start User Manual*.

Product Upgrade

To install product enhancements when ordered as a field upgrade, refer to the instructions included with the kit. When updating hardware it is suggested that the software be updated too. Software is available at www.tek.com. The *WFM6120*, *WFM7020*, *WFM7120*, *WFM6100 Opt. MB*, *WFM7000 Opt. MB*, and *WFM7100 Opt. MB Waveform Monitor Quick Start User Manual* also includes instructions for updating product software.

Operating Information

For basic operating instructions, refer to the *WFM6120*, *WFM7020*, *WFM7120*, *WFM6100 Opt. MB*, *WFM7000 Opt. MB*, and *WFM7100 Opt. MB Waveform Monitor Quick Start User Manual* that shipped with this product. For more detailed reference information, refer to the *Waveform Monitor Online Help*. (Press the **Help** button and then use the **General** knob, up/down arrow keys, and **SEL** to navigate through the topics.)

In addition, there is context sensitive help to identify the buttons and knobs. Press the **Help** button to enable the context sensitive help. Press it again to turn the context sensitive help off.

Power-On Procedure

1. This product has no power switch; to power it up, plug it in to a line voltage source.
2. Wait for the system to complete its power-on self-tests.

Power-Down Procedure

There are two methods to power down the waveform monitor

Power Down – Unplug the instrument.

Standby – The instrument can be placed in a low-power standby mode by touching the **Standby** power button. This also saves the current instrument state as the Latest Preset, which can be configured as the Power-up Preset.

Theory of Operation

Theory of Operation

The WFM7020 and WFM7120 are modular waveform monitors. They can be configured, with options, to accept serial SD digital, HD digital, or Analog Composite inputs. Audio options can add inputs for digital only or analog audio capability.

The WFM6120 is similar, except that it does not support HD rate video signals.

All models use an internal XGA monitor for the display, and have an output to drive an external XGA monitor with the same display. All models also have outputs to drive serial digital and analog picture monitors.

This theory of operation is mainly based on the High-level Block diagram. (See Figure 2-1.) When necessary, other block diagrams may also be referenced.

The lower portion of the block diagram covers functions on the main board. The upper sections cover those of the optional video input and audio boards.

The primary functions on the main board are:

1. Serial Digital Input processing
2. Reference Input
3. Digital Waveform Processing Engine
4. Rasterizing Engine
5. Recursion and Picture processing Engine
6. Control Processor and it's associated peripherals
7. LTC decoder
8. Secondary Power supplies

There are also miscellaneous circuits, such as the thermal control system for the fan.

Power Distribution is not shown in the block diagram but is covered at the end of this section.

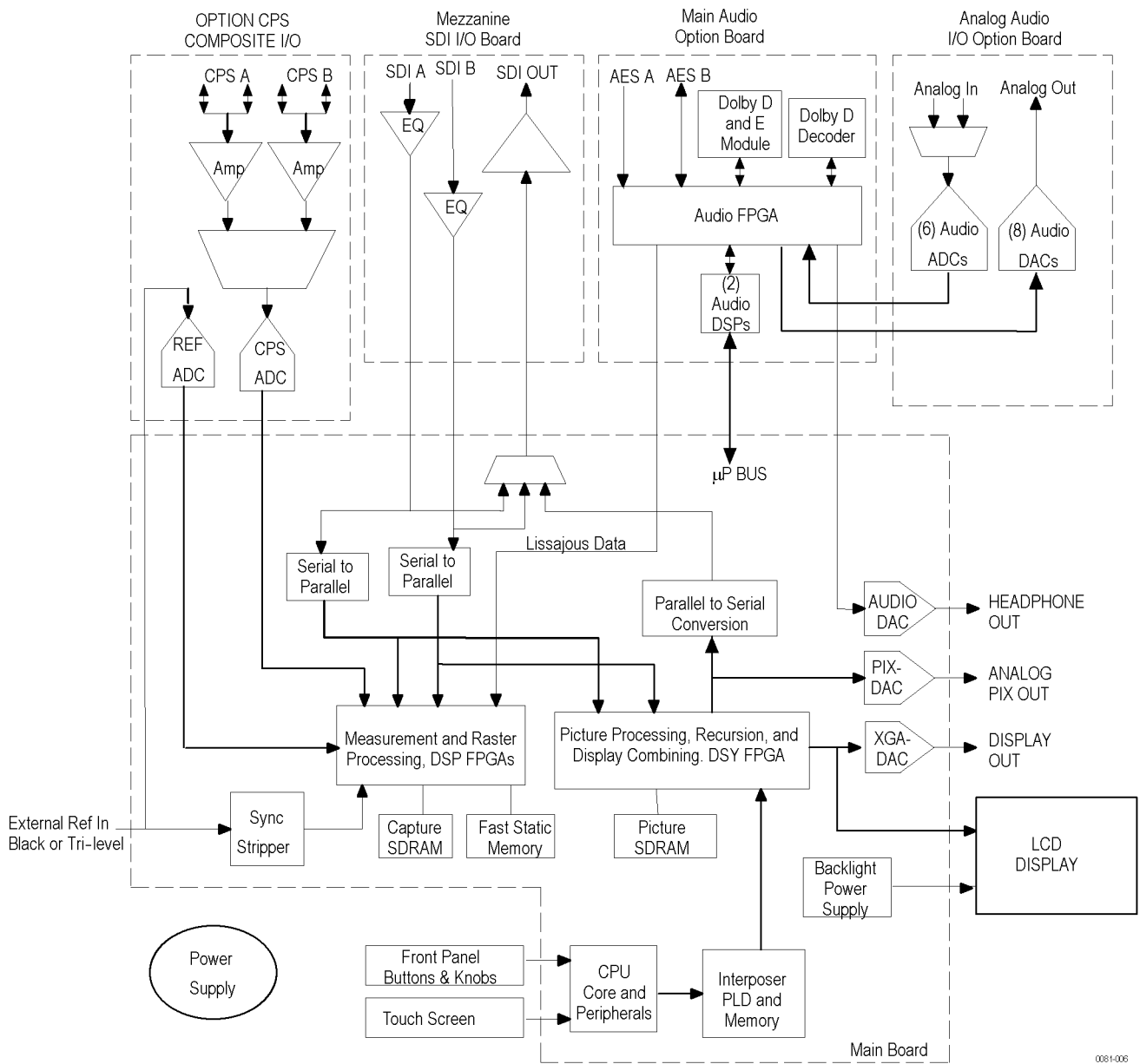


Figure 2-1: Main block diagram

Main Board

Serial Digital Input Processing

The serial digital circuitry receives the SDI input streams after they have been equalized, from either the Mezzanine board or the EYE/PHY board, depending on the installed options. The SDI streams are deserialized and passed to the DSP FPGA where they undergo measurement and raster processing. The signal information is then passed to the DSX FPGA for picture processing, recursion,

and display combining. The result is shown on the LCD display, and also provided to the external XGA connector. The signal is also reserialized and applied to a multiplexer, which is used to select the processed signal or either equalized input signal for routing back to the SDI Out rear panel connector.

Reference Input	The Reference input is a passive loopthrough, which is AC coupled and buffered. Operation varies, depending on whether the instrument is operating in digital or composite input mode. For digital inputs the reference signal is applied to a sync separator whose output is supplied to the DSP FPGA, where the timing information is derived. For composite inputs, the reference signal is routed to the Option CPS composite input board, where a 10-bit ADC digitizes the signal. The digitized signal is then routed back to the DSP FPGA on the main board so the timing information can be derived, as with the digital process.
Digital Waveform Processing Engine	The parallel data streams from the Composite and SDI video inputs are applied to the waveform processing FPGA. This block deformats, up-samples, interpolates, demodulates, and otherwise processes the data to generate the signals needed to create the displays.
Rasterizing Engine	The Rasterizer engine resides in the same DSP FPGA as the waveform processing engine. This block builds up the variable intensity images in the fast static RAM. For each pixel of the display, the Rasterizer Engine increments the intensity of that pixel every time the waveform hits its coordinates. As a result the waveform areas hit more frequently are brighter. For any given frame, the intensity map is built up in one memory chip and read out of the other. The functions swap on the next field.
Recursion and Picture Processing Engine	The output of the rasterizer feeds the picture and recursive processing engine in the second large FPGA. This engine adds the previous frame to the present frame to reduce flicker and improve brightness. It also converts the picture and waveform signals from the input rate of 50 or 59.94 Hz to 60 Hz frame rate to work with the XGA monitor. The picture and waveform data combine with the graphics and audio bar information from the control processor, and then output to the XGA DAC to drive the external monitor. Note that the parallel data from the serial digital inputs connect directly to this FPGA to provide the picture functionality, bypassing the waveform processing engine.
Control Processor	<p>The control processor is in charge of all the operational modes in the instrument. It draws the audio bars, communicates with the front panel through SPI signaling, and controls most other internal devices though either the SPI or the I²C bus. A few parts communicate through other bus types like JTAG or SPI. Audio data is input to the control processor via the 8 bit HPI bus.</p> <p>The control processor interfaces to the Ethernet through a dual rate connection. This allows the network connection to run at 10 or 100 MBps.</p>

LTC LTC inputs come from the remote connector. The LTC signal is applied to an A/D converter and then input to the waveform processing FPGA, which decodes the time code information.

NOTE. *The FPGAs decode VITC signals digitally.*

Front Panel

The front panel contains a small processor which communicates with the control processor through SPI signaling. Reprogramming can be done through SPI as well, if the front panel processor flash code needs to be updated.

Composite Input Option CPS

The Composite inputs are also passive loop-throughs. If unterminated, the signal appears twice as large as it should. The inputs are either AC or DC coupled, depending on the DC Restore setting. The selected input signal is filtered and applied to an A-to-D converter to generate a 14-bit parallel signal, which is routed to the DSP FPGA on the Main board, where it is demodulated in the digital domain.

Audio Options Options AD and DDE

The audio option (if installed) resides in the module slot closest to the power supply. There are two audio options available.

- Option AD adds support for Digital audio monitoring (embedded and AES/EBU) and for Analog audio monitoring. This option is available for all models.
- Option DDE adds support for Dolby E decode, Dolby Digital (AC-3) decode, Digital audio monitoring (embedded and AES/EBU), and for Analog audio monitoring. This option is available for WFM7120 and WFM6120 only.

Audio Processing

Both audio versions have the same basic processing engine. This uses an FPGA to route the audio input into two DSP chips, whose main function is to calculate the peak values for the selected meter ballistics (response characteristics).

The audio data has two paths to the display. On one path, peak values are sent to the control processor which then plots the bar and surround displays. On the second path, raw data samples are sent to the waveform processing engine which interpolates and plots it to generate the lissajous, or “phase,” display.

Audio Inputs

There are three basic audio input paths: AES, analog, and embedded. AES inputs are accepted at rates up to 192 kHz.

Analog inputs are digitized at 48 kHz and then go through the same path as the AES inputs.

The embedded audio path starts at the waveform processing engine. First the audio samples are extracted from the serial digital video data using a 12.288 MHz oscillator and sent to the audio board. At the audio board the streams are multiplexed into the AES decoders and then follow the same path as the AES data. The user can choose to have the de-embedded audio output on the AES B port.

Audio Outputs

There are two audio outputs: Analog and AES. Both outputs always follow the source that is currently selected for the audio bar display. The analog outputs can come from any input. The selected signal output from the FPGA is converted from digital to analog, and then sent as a balanced output to the 62-pin rear panel analog audio connector.

The AES B connectors can be configured as outputs for use with any input type. They can serve as an active loopthrough if the input is AES, a de-embedder if the input is embedded, or an A/D converter if the input is analog. Up to six decoded Dolby audio channels may be output if Option DDE is installed.

Option EYE/PHY

Option EYE is for basic SDI signal monitoring, providing Eye pattern displays and readouts of jitter and key cable parameters. Option PHY has these same capabilities, plus jitter waveform display and automated Eye parameter measurements. Options EYE and PHY provide the following features:

- Eye pattern display
- Equalized Eye pattern display
- Jitter readout
- Jitter Meter
- Cable Loss readout
- Approx Cable readout
- Source Level readout
- Jitter waveform display ¹
- Eye Amplitude readout ¹
- Eye Risetime readout ¹
- Eye Faltime readout ¹
- Eye Rise-Fall (difference) readout ¹

¹ Requires Option PHY.

Options EYE and PHY support both HD and SD SDI signals, limited by the capability of the instrument they are installed in:

- WFM6120: SD only.
- WFM7120: HD only, SD only, or both, depending on installed options.

The hardware to support these features is contained on the EYE/PHY board, which is installed in the center module slot. The Mezzanine board is removed when Option EYE/PHY is installed, so the SDI connectors move from the back panel lower right quadrant to the center. (See Figure 2-2 on page 2-7.) The Audio blocks are not shown in this block diagram but, if installed, still connect as shown in the Main Block diagram. (See Figure 2-1 on page 2-2.)

Operation

Each SDI input signal is applied to a cable equalizer. The selected input signal is sampled by a wide-band track-and-hold circuit, and then digitized. The selected input is also applied to a clock recovery circuit. The recovered clock is divided by 10 for SD (by 20 for HD), filtered to form a sine wave, and then digitized. Both the SDI input and the recovered clock sine wave are sampled by the same asynchronous clock, and then both are passed to the main board for processing by FPGAs. These arrays produce the Eye Display, Jitter Display, Jitter Readout, and Jitter Thermometer. The Eye Display data is further processed to derive

the Eye Amplitude, Eye Rise Time, and Eye Fall Time measurements, which are shown in the SDI Status Display.

The selected SDI input signal also drives the Cable Meter circuit, which measures signal energy at two frequencies. These measurements are read by the CPU on the Main board, which calculates Cable Loss, Approximate Cable Length, and Source Level for display in the SDI Status screen.

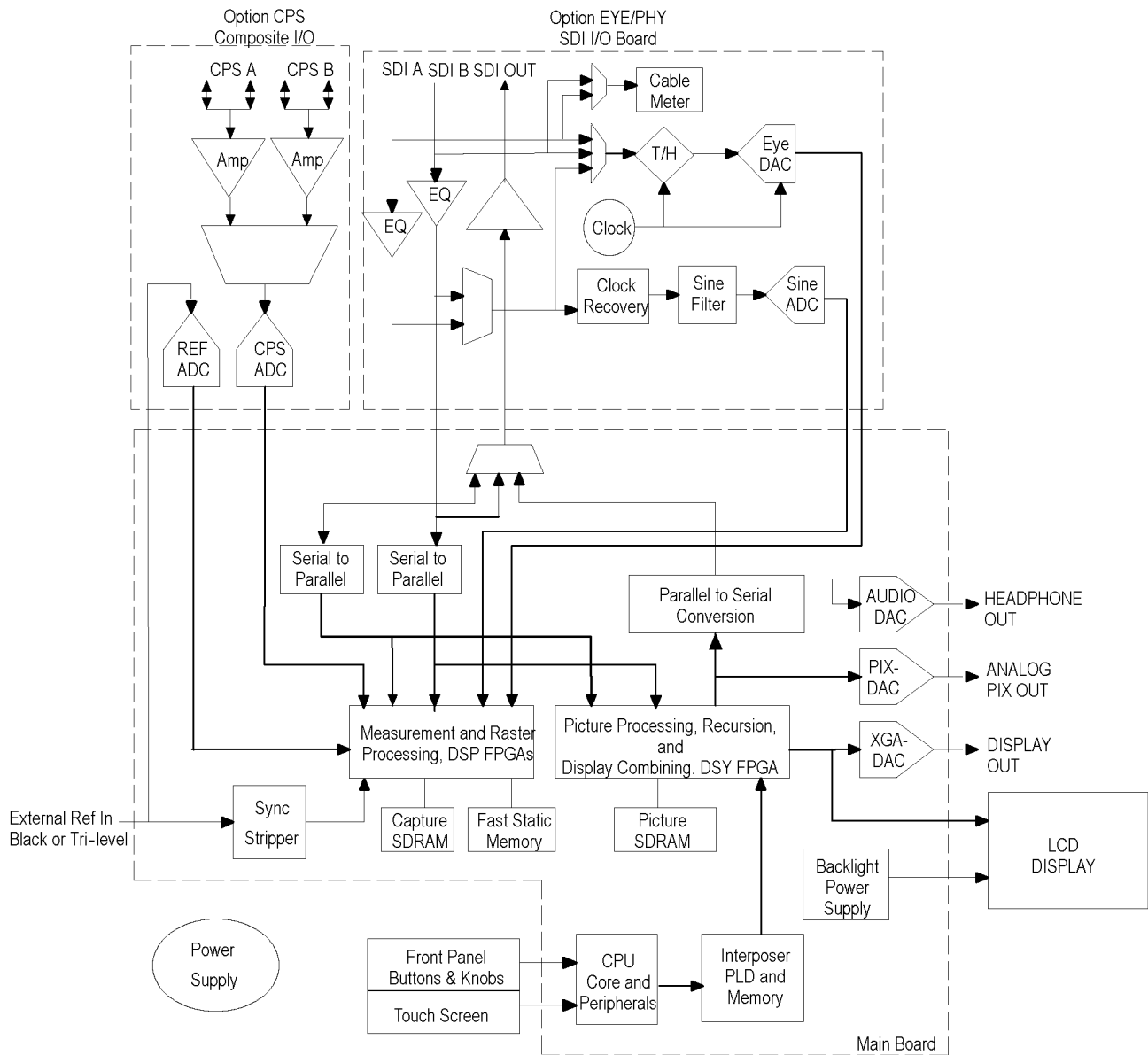


Figure 2-2: Option EYE/PHY block diagram

Option 3G/JIT

Option 3G adds 3 Gbps SDI input capability for the WFM7020 and WFM7120. With the addition of option JIT (available for the WFM7120 only), 3 Gbps operation is extended to include jitter waveform display with readouts, and 3 Gbps Loop-out Test Signal source capability. Since the Option 3G board is installed in the Eye board slot, only one can be present. All non-EYE/PHY features and functions are available, including full HD and SD capabilities. Options 3G and JIT provide the following features:

- 3Gbps SDI input capability for 1080p 50, 59.94, 60; level A and level B
- Down-converted (1080i) picture monitor outputs
- Jitter readout ¹
- Jitter Meter ¹
- Jitter waveform display ¹
- Loop-out Test Signal Source ¹

¹ Requires Option JIT.

The hardware to support these features is contained on the 3G board, which is installed in the center module slot. The Mezzanine board is removed when Option 3G is installed, so the SDI connectors move from the back panel lower right quadrant to the center. See the 3G block diagram. (See Figure 2-3 on page 2-9.) The Audio blocks are not shown in this block diagram but, if installed, still connect as shown in the Main Block diagram. (See Figure 2-1 on page 2-2.)

Operation

Each SDI input signal is applied to a cable equalizer. The selected input is routed to a re-clocker circuit, which extracts the clock and re-clocks the SDI signal. The re-clocked SDI signal is applied to the 3 Gbps receiver/processor within the on-board FPGA. If the signal is recognized as a valid 3 Gbps SDI stream, then it is split into two 1.5 Gbps signals that are routed to the serial-to-parallel receivers on the Main board. The FPGAs on the Main board combine the two signals for measurement and display. If the selected input signal is not recognized as a valid 3Gbps SDI stream, then the equalized SDI A and SDI B signals are routed directly to the main board, bypassing the 3Gbps processing. The Main board then recognizes and process these signals if they are valid HD (1.5 Gbps) or SD (270 Mbps) streams.

For 3 Gbps inputs, the recovered clock is divided by 40, filtered to form a sine wave, and then digitized. This sine wave is sampled by an asynchronous clock and passed to the main board for processing by FPGAs. These arrays produce the Jitter Waveform, Jitter Readout, and Jitter Thermometer.

The divided recovered clock also drives a PLL with selectable loop bandwidth, providing the CLOCK OUT signal. An external oscilloscope viewing a copy of the 3 Gbps input signal can be triggered from the CLOCK OUT signal in order to display an eye diagram.

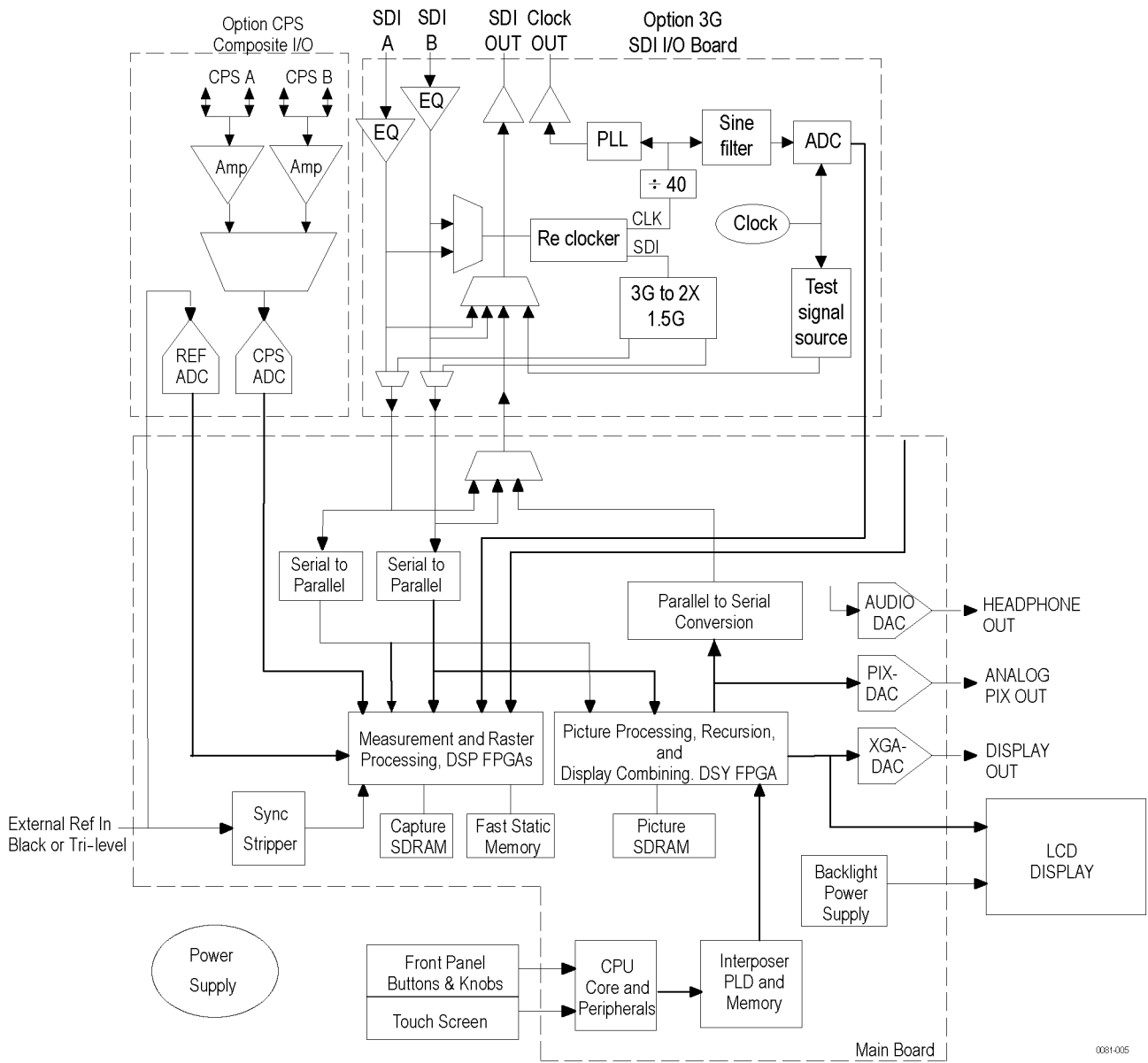


Figure 2-3: Option 3G/JIT block diagram

Fan Control

There are multiple temperature sensors in different locations in the instrument, including some mounted on the Option boards. The control processor reads the temperature sensors and sets a target speed for the fan. The fan circuit holds the fan speed at the target by measuring the fan tachometer output, allowing reliable operation at low speed. If the fan is not turning, the circuit senses the stall and turns on a red LED (DS861 on the Main board). The fan is tested at power up. If it fails, a message is shown on screen and also entered into the diagnostic log.

Power Supply and Distribution

The power supply has a universal AC input, enabling it to accommodate 100 to 264 VAC without any user range switching. The output is 5 VDC. Circuits convert this output to any other supply voltage that they require at the point of usage.

Fuses on the Primary supply 5 V output protect the main board.

The secondary supplies and their tolerances are specified in the troubleshooting section. The location of the supply test points is shown in the *Maintenance* section.

Adjustment Procedures

Adjustments

The waveform monitor does not normally require any adjustments. The adjustments which can be made are semi-automated, and should only be made while performing a Performance Verification. Make the appropriate adjustment if the instrument fails one of these tests in the Performance Verification procedure:

- *HD Cable Meter* (WVR7120 Option EYE or PHY only),
- *SD Cable Meter* (WVR6120 Option EYE and WVR7120 Options SD and EYE or PHY only),
- *HD Jitter Noise Floor* (WVR7120 Option EYE or PHY only),
- *Eye Gain* (WVR6120 and WVR7120 Option EYE or PHY only),
- *PixMon Output Level* (RGB and Option CPS)
- *Composite Analog Input DC Offset Restore Off* (Option CPS only),
- *Composite Analog Vertical Measurement Accuracy* (Option CPS only),
- *Composite Analog Frequency Response* (Option CPS only), and
- *Analog Audio Level Meter Accuracy Over Frequency* (Options AD and DDE only)

After making the adjustment shown here, repeat the failed Performance Verification step.

Required Equipment

These adjustment procedures require the same equipment as the Performance Verification procedure. For more details refer to *Specifications and Performance Verification*.

Procedures

- Cable Meter**
1. If any cable length reading is outside the specification, perform the following adjustment procedure. Perform both the Short and Long steps for any input (SDI A or SDI B) and any standard (HD or SD) that was found to be outside the specification.

NOTE. Be sure to use a generator with SDI output set as close as possible to 800 mV, since the Cable Meter adjustment establishes the Source Level as well as the Approx Cable (cable length) calibration.

- a. Press **CONFIG**, select **Utilities > Calibration**, and then press **SEL** to start the calibration process.
- b. Using the up and down arrow buttons, navigate to the Cable Meter calibration cases, press **SEL** to start, and follow the on-screen instructions.
- c. Follow the instructions at the bottom of the screen to Save and Exit Calibration mode.

HD Clock Extractor (Jitter Noise Floor)

1. If the HD Jitter Noise Floor is outside the specification, perform HD CDR Center and HD CDR Null calibration as described below. Adjustments for frame rates such as 59.94 and 29.97 Hz are indicated as “1/M”; frame rates such as 60, 50, and 30 Hz have no “1/M” indication.
 - a. Press the **CONFIG** button.
 - b. Select **Utilities > Calibration** and press **SEL** to enter the Calibration menu.
 - c. Use the arrow buttons to navigate to the appropriate Eye HD CDR Center calibration case, press **SEL** to start, and follow the on-screen instructions.
 - d. Navigate to the appropriate Eye HD CDR Null calibration case press **SEL** to start, and follow the on-screen instructions. Be sure to use the SDI PLL Test pathological signal for this adjustment.
 - e. Follow the instructions at the bottom of the screen to Save and Exit Calibration mode.
 - f. Restart the HD Jitter Noise Floor test, and then record the new values in the test record.

- Eye Gain**
1. If the Eye Gain is outside the specification, perform the following adjustment procedure:
 - a. Connect a signal source, with an 800 mV, 1 MHz, square wave signal to the SDI A input. Make sure the source is calibrated, and the signal amplitude is within a few millivolts of 800 mV.
 - b. Press the **CONFIG** button, and then select **Utilities > Calibration**. Press **SEL** to enter the calibration menu.
 - c. Use the up and down arrow buttons to navigate to the appropriate Eye Gain Adjust selection, and press **SEL** to start the calibration.
 - d. Follow the on screen instructions, using the General knob or the up and down arrow keys to adjust the displayed amplitude of the eye waveform until it is 800 mV.
 - e. Press and hold **STATUS**, and then select **SAVE** and press **SEL**.
 - f. Repeat for the SDI B input.
 - g. Follow the instructions at the bottom of the screen to Save and Exit Calibration mode.

- PixMon (SD/HD)**
1. Connect a 525-270 100% Flat Field SDI signal to the SDI A input.
 2. Connect an XGA to 5x BNC adapter cable to the PixMon output on the waveform monitor.
 3. Connect the “Green” video signal to the oscilloscope input. (Use an oscilloscope with a 75 Ω input, or a 75 Ω feed through termination.)
 4. Set the Oscilloscope:

Control	Setting
Vert	200 mV/Div
Horiz	20 μ s/Div
Trigger	Edge

5. Press the **Config** button.
6. Use the arrow keys or the General knob to navigate to **Outputs** and set the appropriate (HD or SD) Anlg Pixmon to **YPbPr**.
7. Adjust the oscilloscope trigger level for a stable display.
8. Press the left arrow key twice to return to the first level of the CONFIG menu.
9. Select **Utilities > Calibration**. Press **SEL** to start calibration.
10. Navigate to the **Pixmon YPbPr Gain** calibration case, and press **SEL** to start.
11. Use the waveform monitor's General knob to adjust the signal amplitude (not including the sync pulse) to 700 mV on the oscilloscope.
12. Follow the instructions at the bottom of the screen to Save and Exit Calibration mode.

PixMon (Composite)

1. Connect a 100 IRE Flat Field video signal to the **Cmpst A** input. Terminate the loop-through in 75Ω
2. Press **Input C** to select the Composite A signal.
3. Press the **CONFIG** button.
4. Use the arrow keys or the General knob to navigate to **Outputs** and set the **Composite Pixmon** to **On**.
5. Press the left arrow key to return to the first level of the CONFIG menu.
6. Connect an XGA to 5x BNC adapter cable to the PixMon output on the waveform monitor.
7. Connect the "Green" video signal to the oscilloscope input. Use an oscilloscope with a 75Ω input, or use a 75Ω feed through termination.
8. Set the Oscilloscope:

Control	Setting
Vert	200 mV/Div
Horiz	20 μ s/Div
Trigger	Edge

9. Press the **Config** button.
10. Select **Utilities > Calibration**, and then press **SEL** to enter the calibration menu.
11. Navigate to the **Pixmon Composite Gain** case, and then press **SEL**.
12. Adjust the General Purpose knob to set the video portion of the signal to 714 mV (100 IRE).
13. Follow the instructions at the bottom of the screen to Save and Exit Calibration mode.

**Composite Analog Input
DC Offset Restore Off
(Option CPS)**

1. Perform the following steps if the Offset is outside the specification:
2. Press the **Config** button.
3. Select **Utilities > Calibration**, and then press **SEL** to enter the calibration menu.
4. Navigate to **Composite DC Offset** and press **SEL** to automatically adjust the offset.
5. Follow the instructions at the bottom of the screen to Save and Exit Calibration mode.

**Composite Analog Vertical
Measurement Accuracy
(Option CPS)**

1. Perform the following steps if the Amplitude is outside the specification:
2. Connect a 100% color bar signal from the precision generator to the Composite A input. Terminate the loop through with a precision 75 Ω termination.
3. Press the **CONFIG** button.
4. Navigate to **Utilities > Calibration**, and then press **SEL**.
5. Select **Composite Waveform Gain**, and then press **SEL**.
6. Follow the on-screen instructions to adjust the gain.
7. Follow the instructions at the bottom of the screen to Save and Exit Calibration mode.

Composite Analog Frequency Response (Option CPS)

If the Frequency Response is outside the specification, follow this adjustment procedure:

1. Connect the precision video generator to one of the CMPST A input connectors and terminate the other connector with the precision terminator.
2. Set the precision generator for 700 mV Multiburst. The top packet must be 5.75 MHz.
3. Press the **CONFIG** button.
4. Navigate to **Utilities > Calibration**, and then press **SEL**.
5. Select **Composite Freq Peak** and then press **SEL**.
6. Follow the on-screen instructions to adjust the response.
7. Follow the instructions at the bottom of the screen to Save and Exit calibration mode.
8. Repeat the Composite Analog Frequency Response test in the Performance Verification procedure.

Analog Audio Level Meter Accuracy Over Frequency

If any of the Analog A Inputs failed to meet the specification, (or even if they are off by more than a few tenths of a dB) an input adjustment can be performed:

1. Set the analog audio generator as follows:

Control	Setting
Frequency	1 kHz
Output Level	18 dBu Audio Tone
Output Impedance	10 Ω

2. Connect the generator balanced (BAL) analog output to the Analog A input that requires adjustment.
3. Press the **CONFIG** button.
4. Navigate to **Utilities > Calibration**, and then press **SEL**.
5. Push the up or down arrow key until the desired Analog Input channel is highlighted and push the **SEL** key to automatically perform an adjustment.
6. Follow the instructions at the bottom of the screen to Save and Exit calibration mode.
7. Check for an indication of -18 dBu in the newly adjusted audio bar.
8. If multiple inputs require adjustment, repeat steps 2 through 7 for each input.

This ends the adjustment procedure. To complete the process you should now perform a complete Performance Verification.

Maintenance

General Maintenance

This section contains the information needed to perform periodic and corrective maintenance on the waveform monitor. The following subsections are included:

- *Preventing ESD* — General information on preventing damage by electrostatic discharge.
- *Inspection and Cleaning* — Information and procedures for inspecting and cleaning the waveform monitor.
- *Troubleshooting* — Information for isolating and troubleshooting failed modules. Included are instructions for operating the waveform monitor diagnostic routines and troubleshooting trees. Most of the trees make use of the internal diagnostic routines to speed fault isolation to a module.
- *Removal and Replacement Procedures* — Information and procedures for removing and replacing modules in the instrument.
- *Repackaging Instructions* — Information on returning a waveform monitor for service.

Preventing ESD

Before servicing this product, read the *Safety Summary* and *Introduction* at the front of the manual, and the ESD information below.



CAUTION. *Static discharge can damage any semiconductor component in the waveform monitor.*

When performing any service that requires internal access to the waveform monitor, adhere to the following precautions to avoid damaging internal modules and their components due to electrostatic discharge (ESD).

1. Minimize handling of static-sensitive circuit boards and components.
2. Transport and store static-sensitive modules in their static protected containers or on a metal rail. Label any package that contains static-sensitive boards.
3. Discharge the static voltage from your body by wearing a grounded antistatic wrist strap while handling these modules. Service static-sensitive modules only at a static-free work station.
4. Nothing capable of generating or holding a static charge should be allowed on the work station surface.
5. Handle circuit boards by the edges when possible.
6. Do not slide the circuit boards over any surface.
7. Avoid handling circuit boards in areas that have a floor or work-surface covering capable of generating a static charge.

Inspection and Cleaning

Inspection and Cleaning describes how to inspect for dirt and damage. It also describes how to clean the exterior and interior of the waveform monitor. Inspection and cleaning are done as preventive maintenance. Preventive maintenance, when done regularly, may prevent waveform monitor malfunction and enhance its reliability.

Preventive maintenance consists of visually inspecting and cleaning the waveform monitor and using general care when operating it.

How often maintenance should be performed depends on the severity of the environment in which the waveform monitor is used. A proper time to perform preventive maintenance is just before any waveform monitor adjustment.

General Care The cabinet helps keep dust out of the waveform monitor and should normally be in place when operating the waveform monitor.



WARNING. *To prevent injury or death, power down the instrument and disconnect it from line voltage before performing any procedure that follows.*

Interior Cleaning Use a dry, low-velocity stream of air to clean the interior of the chassis. Use a soft-bristle, non-static-producing brush for cleaning around components. If you must use a liquid for minor interior cleaning, use a 75% isopropyl alcohol solution and rinse with deionized water.

Exterior Cleaning Clean the exterior surfaces of the chassis with a dry lint-free cloth or a soft-bristle brush. If any dirt remains, use a cloth or swab dipped in a 75% isopropyl alcohol

solution. Use a swab to clean narrow spaces around controls and connectors. Do not use abrasive compounds on any part of the instrument that may be damaged by it.



CAUTION. Avoid the use of chemical cleaning agents that might damage the plastics used in the waveform monitor. Use only deionized water when cleaning the front-panel buttons. Use a glass cleaner to clean the LCD. For the rest of the instrument, use a 75% isopropyl alcohol solution as a cleaner and rinse with deionized water. Before using any other type of cleaner, consult your Tektronix Service Center or representative.

Inspection — Exterior. Inspect the outside of the waveform monitor for damage, wear, and missing parts, using the following table as a guide. Immediately repair defects that could cause personal injury or lead to further damage to the waveform monitor.

Table 4-1: External inspection check list

Item	Inspect for	Repair action
Cabinet, front panel, and cover	Cracks, scratches, deformations, damaged hardware	Repair or replace defective module
Front-panel knobs	Missing, damaged, or loose knobs	Repair or replace missing or defective knobs
Connectors	Broken shells, cracked insulation, and deformed contacts. Dirt in connectors	Repair or replace defective modules. Clear or wash out dirt
Carrying handle and cabinet feet	Correct operation	Repair or replace defective part
Accessories	Missing items or parts of items, bent pins, broken or frayed cables, and damaged connectors	Repair or replace damaged or missing items, frayed cables, and defective modules
LCD	Cracks	Replace the LCD assembly
	Dirty	Clean with glass cleaner

Inspection — Interior. To access the inside of the waveform monitor for inspection and cleaning, you will need to remove the top cover.

Inspect the internal portions of the waveform monitor for damage and wear, using Table 4-2 as a guide. Defects found should be repaired immediately.

If any circuit board is repaired or replaced, see if it is necessary to adjust the waveform monitor. (See Table 4-2 on page 4-4.)



CAUTION. To prevent damage from electrical arcing, ensure that circuit boards and components are dry before applying power to the waveform monitor.

Table 4-2: Internal inspection check list

Item	Inspect for	Repair action
Circuit boards	Loose, broken, or corroded solder connections. Burned circuit boards. Burned, broken, or cracked circuit-run plating.	Remove and replace damaged circuit board.
Resistors	Burned, cracked, broken, blistered condition.	Remove and replace damaged circuit board.
Solder connections	Cold solder or rosin joints.	Resolder joint and clean with isopropyl alcohol.
Capacitors	Damaged or leaking cases. Corroded solder on leads or terminals.	Remove and replace damaged circuit board.
Wiring and cables	Loose plugs or connectors. Burned, broken, or frayed wiring.	Firmly seat connectors. Repair or replace modules with defective wires or cables.
Chassis	Dents, deformations, and damaged hardware.	Straighten, repair, or replace defective hardware.

Cleaning Procedure — Interior. To clean the waveform monitor interior, perform the following steps:

1. Blow off dust with dry, low-pressure, deionized air (approximately 9 psi).
2. Remove any remaining dust with a lint-free cloth dampened in isopropyl alcohol (75% solution) and rinse with warm deionized water. (A cotton-tipped applicator is useful for cleaning in narrow spaces and on circuit boards.)

STOP. If, after doing steps 1 and 2, a module is clean upon inspection, skip the remaining steps.

3. If steps 1 and 2 do not remove all the dust or dirt, the waveform monitor may be spray washed using a solution of 75% isopropyl alcohol by doing steps 4 through 6.
4. Gain access to the parts to be cleaned by removing easily accessible shields and panels.
5. Spray wash dirty parts with the isopropyl alcohol and wait 60 seconds for the majority of the alcohol to evaporate.
6. Dry all parts with low-pressure, deionized air.

Lubrication. There is no periodic lubrication required for the waveform monitor.

Troubleshooting

The procedures in this section will help you trace the root cause of a problem back to one of the replaceable modules. In general, this is a board-level replacement but there are a few components on some boards that are replaceable.



WARNING. Before performing this or any other procedure in this manual, read the General Safety Summary and Service Safety Summary found at the beginning of this manual.

To prevent possible injury to service personnel or damage to electrical component, refer on how to prevent ESD. (See page 4-1.).

Getting Started

This procedure consists of two main sections: the first section contains the *Symptoms and Causes* table, and the second section contains a set of *Detailed Troubleshooting Procedures*. The table lists common problems and should help you identify the problem or it may direct you to one of the detailed troubleshooting procedures in the second section. If you do not find your instrument's problem in the table, or if no specific problem was reported by the user, then follow the steps in the *Unknown Problem* section in the Symptoms and Causes table.

Waveform monitors of the WFM6000 and WFM7000 series are highly configurable and behavior is sometimes complex. Before troubleshooting in-depth, verify that:

- The installed options are as expected. See CONFIG > Utilities > View Instrument Options
- The current settings support the expected behavior. A good first step is to recall the Factory Presets

To properly test a waveform monitor you must have appropriate signal sources. Depending on what portion of the instrument you are testing, this might include Composite video, Serial Digital Video, Analog Audio, or Digital Audio. In some cases, you may also need receivers or an oscilloscope to check outputs.

These instruments consist of several boards and major components. Some of these are optional, as shown below. The objective of this troubleshooting guide is to isolate a problem to a module or board so it can be replaced. This guide does not provide information to troubleshoot to the component level.

Standard boards and modules:

- Power Supply
- Display Assembly (LCD, Backlight inverter, Front Panel board with buttons, LEDs, and knobs)
- Main board
- Mezzanine SDI I/O board (not present if Option EYE/PHY or 3G is installed)

Optional boards:

- Physical layer, for Option EYE/PHY
- 3G Physical layer, for Option 3G/JIT
- Composite input, for Option CPS
- Audio Main, for Option AD and DDE
- Analog Audio, for Options AD and DDE
- Dolby Decoder module, for Option DDE

Table 4-3: Required test equipment

Test equipment	Requirements	Example
SDI serial digital video test generator with embedded audio and composite signal source. Varies with installed options: SD - need SD SDI source HD - Need HD SDI source CPS - Need composite SDI source	1080i 59.94 HD signals required for WFM7x00 Option HD: <ul style="list-style-type: none"> ■ 100% color bars ■ 10 bit shallow ramp ■ SDI Matrix Split Field Pathological Signal ■ 100% sweep 	Tektronix TG2000 with HDVG1 module for TG2000 (Embedded audio needed for audio options)
	525/270 SD signals required for WFM7120 Option SD and WFM6120 Option SD: <ul style="list-style-type: none"> ■ 100% color bars ■ 10 bit shallow ramp ■ SDI Matrix Pathological Signal ■ 100% sweep 	DVG1 with option S1 module for TG2000 (Embedded audio needed for audio options)
	Composite signals required for Option CPS: NTSC SMPTE bars	AVG1 module for TG2000
	Precision calibration signals for Option CPS	067-0465-00 calibration fixture for TG2000
XGA Monitor	Computer monitor capable of 1024 x 768 x 60 Hz scan rate	
AES Audio Signal Generator (If any audio option installed)	48 kHz, 24 bit word length signals	Rohde & Schwarz UPL06, Tektronix AM700 and AM70.
Analog Audio Signal Generator (If any audio option installed)		Rohde & Schwarz UPL06, Tektronix AM700 and AM70.
Voltmeter		Fluke 87 or equivalent
DC Ammeter with Clamp on pickup	20 Amp DC capable	Fluke 336 or equivalent
Oscilloscope	Video trigger capability	Tektronix TDS3000C Series

Table 4-4: Symptoms and causes

Symptom	Possible Sources or Recommended Detailed Troubleshooting Procedure to follow
No LEDs lit and/or LCD not working	Perform general checks Perform primary power supply checks Perform secondary power supply checks Perform Front Panel button Troubleshooting Perform LCD troubleshooting test Replace main circuit board or Front Panel assembly as indicated by above tests
Inconsistent or partial hardware failures	Perform primary power supply checks Perform secondary power supply checks Examine Power-up Diagnostics results in the Diagnostic Log Run Advanced Diagnostics Replace Main circuit board
Fails any of these Power On Diagnostics: <ul style="list-style-type: none"> ■ SDI Deserializer Comm: ■ Main Board Option ■ Main Board Power Supplies ■ Main Board Sensor ■ Main Board Serial EEPROM ■ Main Board Serial FLASH ■ DSP FPGA A/B COMM ■ DSP FPGA A/B Program ■ Display FPGA COMM ■ Display FPGA Program 	Review messages in diagnostic log Perform primary power supply checks Perform secondary power supply checks Run Advanced Diagnostics and look for other information Replace the main board
Fails any of these Power On Diagnostics: <ul style="list-style-type: none"> ■ Composite DAC Comm: ■ Composite SPI Comm: ■ Front Panel Version Information 	Review messages in diagnostic log Perform primary power supply checks Perform secondary power supply checks Run Advanced Diagnostics and look for other information Replace the Composite board

Table 4-4: Symptoms and causes (cont.)

Symptom	Possible Sources or Recommended Detailed Troubleshooting Procedure to follow
Fails any of these Power On Diagnostics: <ul style="list-style-type: none"> ■ Eye Hardware Revision ■ Eye Board Cable Version ■ Eye Register Readback ■ Eye Board Power Supply ■ Eye Board Cal EEPROM 	Review messages in diagnostic log Perform primary power supply checks Perform secondary power supply checks Run Advanced Diagnostics and look for other information Replace the EYE/PHY board
Fails any of these Power On Diagnostics: <ul style="list-style-type: none"> ■ 3 Gbps Revision ■ 3 Gbps Register Readback ■ 3 Gbps Voltage Test 	Review messages in diagnostic log Perform primary power supply checks Perform secondary power supply checks Run Advanced Diagnostics and look for other information Replace the 3G/JIT board
Diagnostic log shows Fail on any of these Advanced Diagnostics: <ul style="list-style-type: none"> ■ ADV_DIAG_LSS 	Review messages in diagnostic log. If the waveform monitor also fails other tests as well, then suspect main board and perform the primary and secondary power supply tests. If only this test fails, then perform the <i>isolating Advanced Diagnostic Lissajous Errors</i> procedure to isolate the problem to main or audio board.

Table 4-4: Symptoms and causes (cont.)

Symptom	Possible Sources or Recommended Detailed Troubleshooting Procedure to follow
Failures while running the advanced diagnostics:	<ul style="list-style-type: none"> ■ Perform secondary power supply checks ■ Replace main board
<ul style="list-style-type: none"> ■ Display Data Bus ■ Display Address Bus ■ Raster Data Bus Input ■ DSP1 Data Bus ■ DSP1 Address Bus ■ DSP2 Data Bus ■ DSP2 Address Bus ■ DSP1 QDR1 ■ DSP1 QDR2 ■ DSP2 QDR1 ■ DSP2 QDR2 ■ RD SDRAM Data ■ RD SDRAM Address ■ DSP1 SDRAM Data Bus ■ DSP1 SDRAM Address Bus ■ DSP2 SDRAM Data Bus ■ DSP2 SDRAM Address Bus ■ Audio PLL Ctrl Outs ■ Audio PLL Freq Check 	

Table 4-4: Symptoms and causes (cont.)

Symptom	Possible Sources or Recommended Detailed Troubleshooting Procedure to follow
Failures while running the advanced diagnostics (Cont): <ul style="list-style-type: none"> ■ DSY → DSP1 Bus Output ■ DSY → DSP1 Bus Input ■ DSP1 → DSY Bus Output ■ DSP1 → DSY Bus Input ■ DSY → DSP2 Bus Output ■ DSY → DSP2 Bus Input ■ DSP2 → DSY Bus Output ■ DSP2 → DSY Bus Input ■ DSP1 → DSP2 Bus Output ■ DSP1 → DSP2 Bus Input ■ DSP2 → DSP1 Bus Output ■ DSP2 → DSP1 Bus Input 	<ul style="list-style-type: none"> ■ Perform secondary power supply checks ■ Replace main board
Failures while running the advanced diagnostics (Cont) <ul style="list-style-type: none"> ■ Eye Option Data Bus ■ Power A/D ■ Eye Capable A/D ■ Eye → DSP1 Data ■ Eye → DSP1 Phase ■ Eye → DSP2 Data ■ Eye → DSP2 Phase ■ Eye Option 	Replace the eye board NOTE. <i>It is also possible that the Eye to DSP tests could indicate a problem in the Main board.</i>
Failures while running the advanced diagnostics (Cont) <ul style="list-style-type: none"> ■ Lissajous Bus 	Review messages in the diagnostic log. If the waveform monitor also fails other tests as well, then suspect main board and perform the primary and secondary power supply tests. If only this test fails, then perform the Isolating Advanced Diagnostic Lissajous Errors procedure to isolate the problem to main or audio board.

Table 4-4: Symptoms and causes (cont.)

Symptom	Possible Sources or Recommended Detailed Troubleshooting Procedure to follow
Failures while running the advanced diagnostics (Cont.):	
<ul style="list-style-type: none"> ■ Cmpst Mux Select ■ Cmpst DC Rest Ctrl ■ Cmpst Ref Mux Sel ■ Cmpst Ref Clk Sel ■ Display Cmpst Ctrls ■ DSP1 Cpmst Tests ■ DSP2 Cpmst Tests 	
Diagnostic Log Message:	Search for an intermittent problem in the audio board, cables, or main board.
<ul style="list-style-type: none"> ■ Fail AUDIO_DSP_HEARTBEAT 	
No text or traces on LCD	Perform LCD troubleshooting test
Traces on LCD but not on Ext Display output	Replace Main board

Table 4-4: Symptoms and causes (cont.)

Symptom	Possible Sources or Recommended Detailed Troubleshooting Procedure to follow
<p>Functional Test Failures Performance Verification Test Failures</p>	<p>In case of failure on either Functional or the Performance tests, the board at fault is generally obvious. Before replacing a board:</p> <ol style="list-style-type: none"> 1. Perform the primary and secondary power supply checks. 2. Run the advanced diagnostics and check the diagnostic log for help in isolating the fault. <p>If this does not isolate the problem, then replace the main board if the test is in one of the following areas:</p> <ul style="list-style-type: none"> ■ SDI ■ Composite ■ Ref ■ LTC ■ XGA output ■ Color Palette ■ Remote I/O ■ Ethernet <p>If the problem is only the SDI input, first replace the Mezzanine, Eye, or 3G board (depending on option). If that does not fix the problem replace the main board.</p> <p>If the problem is Composite, replace the composite option board. If the problem persists then replace the main board.</p> <p>If the problem is in the audio board, perform these tests:</p> <ol style="list-style-type: none"> 1. Isolating Advanced Diagnostic Lissajous errors. 2. Audio Power-up Diagnostic Failure.
<p>Unknown Problems</p> <p>An instrument may come into service with vague or intermittent symptoms. In a case like this, the following set of tests may help find the problem or the marginal condition.</p>	<ol style="list-style-type: none"> 1. Check the diagnostic log. This log records a variety of problems and will enable you to see messages for an error that may not be currently happening. 2. Check the power supplies by performing the Primary and Secondary Supply checks. A marginal supply can lead to intermittent operation if it is near the acceptable threshold. This includes the main supply and the secondary supplies on each board. 3. Check the error log. This may give clues about how the unit was operating when the user saw problems. 4. Perform the incoming inspection tests. This will exercise a majority of the functions in the unit and includes the advanced diagnostics. Some parts of the test may not be necessary for all problem areas. 5. If the unit has an audio board, remove it and recheck any problem areas in the video performance. The Audio board can place too much of a load on the supplies if they are marginal. If the performance changes with the audio board removed, then you should perform the primary and secondary power supply checks and look for an excess load on one of the supplies.

Detailed Troubleshooting Procedures

The following tests should be run as indicated in the *Symptom and Causes* table. (See Table 4-4 on page 4-7.). The procedures check for specific problems or will help you isolate a problem to a board. You can run them at any time for informational purposes but if you do not run the procedures in the correct context, then the final recommendation identifying a root cause might be suspect.

List of detailed troubleshooting procedures:

- General Checks
- Primary Power Supply Checks
- Secondary Power Supplies Checks
- Front Panel Troubleshooting
- Isolating Audio Problems
- Isolating Advanced Diagnostic Lissajous Errors.

General Checks

1. Verify that the power cord is connected.
2. Check that all internal cables are correctly connected and seated.
3. Check for any discolored or burned components.

Fan Failures

The Fan is controlled by both hardware and software. Hardware controls the fan to a certain speed, but software sets the speed target as a function of the temperature measured on a variety of temperature sensors.

If the fan fails, then LED DS861 on the Main board will be lit.

The fan failure is sensed through tachometer feedback, thus a fault will be asserted if the fan is not connected, is stalled, or if the tachometer feedback line is not working correctly.

If the fan fails, the control circuit will increase the voltage to the 13.5 V max level.

The normal voltage to drive the fans (pin 1) varies from about 6 V to 13.5 V in response to temperature and fan speed.

If the fan is not spinning, measure the voltage on the fan connector J890 pin 1. If the voltage is near 13 V then replace the fan.

If the voltage is not above 10 V then replace the main board.

If the fan is spinning, but LED DS861 is lit, the problem is probably the tachometer feedback line on pin 3 of the fan. Inspect the wiring and pull-up resistor R864 on the main board, and use the oscilloscope to look for a 3.3 V square wave on the tachometer feedback line. Replace the fan if the pull up is intact but there is no signal on the tachometer line

Primary Power Supply Tests

This section describes methods for verifying the proper operation of the waveform monitor primary power supply.



WARNING. *Some parts of this test may require removing the insulating safety shield. To avoid personal injury, be careful not to contact the circuitry while the shield is removed. Be sure to replace the shield as soon as possible to prevent injury.*

The main power supply accepts 100 to 264 VAC and outputs 5 VDC. The output voltage at the supply must be between 4.9 and 5.3 V for correct operation. On the main board, the common 5 V supply must be between 4.80 and 5.25 V.

There is also a green LED, DS232, that will be lit if some 5 V power is present. This is a useful indicator, but does not insure that the voltage is within tolerance.

If the power supply output is correct, check the seven fuses in the 5 V system near the main board power connector J14. (See Figure 4-1 on page 4-24.). All should have 5 V on both sides. If not, replace the fuse.

If the supply output voltage is zero, then check the input circuit. The voltage should be the same at the line cord, at the input to the power supply, and on both ends of the fuse on the input to the supply. If the input voltage is correct while the output is not, replace the supply. If the input voltage is not correct replace the element in the chain that is not passing the AC input.

If the voltage at the output of the supply is not zero, but still not correct, check the input voltage. If the input voltage is in the correct range, then disconnect the output of the supply from the main board and recheck the output voltage. If the voltage is still not correct then replace the power supply.

If the no-load output voltage is correct, then reattach the cable to the main board and measure the current by clamping the ammeter around all the red wires. If the current is less than 14 Amps, and the voltage is still bad, then replace the power supply. If the current is more than 14 Amps, then remove module boards and recheck the current. If it is still high then replace the main board. If not then test with one option board at a time to find the one with excess current and replace that board.

Secondary Power Supply Tests

There are multiple secondary supplies that are derived from the main 5 V supply. Be sure all seven 5 V fuses are good (as noted in *Primary Power Supply Tests*) before checking the secondary supplies.

First, check the LEDs near the power connector, J14. Green LED DS232 indicates there is some 5 V from the main supply.

Next, check if any of the three Red LEDs (DS231, DS321, or DS761) are on. These indicate failures on the General 5 V, processor core 1.3 V, and general

3.3 V supplies respectively. If these are lit the most likely causes are the fuses near J14, but if those are all OK replace the main board.

Next, check the secondary supplies as shown in Table 4-5. Each supply has a test point in the front left corner of the Main board. (See Figure 4-1 on page 4-24.) If any supplies are out of range, replace the main board.

Table 4-5: Main board secondary supplies

Nominal (+V)	Allowed range (+V)	Measure at
1.8	1.7 to 1.9	TP29
Fan	5 to 13.5	TP24
+5	4.75 to 5.25	TP27
3.3	3.2 to 3.4	TP31
2.5	2.4 to 2.6	TP33
1.5	1.4 to 1.6	TP35
+5A	4.75 to 5.25	TP36
-5A	-4.75 to -5.25	TP39
1.3 Core	1.2 to 1.4	TP30

Check the Audio supplies on the Audio board (if an Audio board is installed). (See Table 4-6 on page 4-15.). The test points are available, with the board installed. (See Figure 4-2 on page 4-25.).

Table 4-6: Audio main board secondary supplies

Supply name	Range	Measured at
+1.5 V	1.425 to 1.575	TP6
+3.3 V	3.1 to 3.6	TP8
-5 V	-4.5 to -5.5	TP9
+5 V	4.75 to 5.2	TP10
+1.26 V	1.20 to 1.32	TP11
+1.8 V	1.71 to 1.89	TP95

Check the secondary supplies on the Analog audio board, if installed. This is the smaller audio card to which the 62 pin DSUB connector is mounted. The test points are available, with the board installed, along the top front edge of the board. (See Figure 4-3 on page 4-26.).

Table 4-7: Analog audio secondary supplies (board not present for option DS instrument)

Supply name	Range	Notes
+15 V	14 to 15.5	TP901
-15 V	-14 to -15.5	TP803
+5 VD	4.8 to 5.2	TP5
+5 VA	4.8 to 5.2	TP3
+3.3 V	3.1 to 3.6	TP2
-5 V	-4.5 to -5.5	TP1

The Eye board also has multiple secondary supplies, and test points along the top edge where they can be probed. The Power-up Diagnostics measure these, so they are not included in this procedure. Note that some of these supplies are only active in either SD or HD mode, so it is normal for some of them to not be present in some operating modes.

Front Panel Button Troubleshooting

Perform this test if the power supplies are good, but none of the buttons are lit or respond to presses.

1. Cycle the power to the unit. Immediately after power up three buttons (MAG, LINE SEL, and CURSOR) should be lit continuously, and the other buttons should be lit one at a time in a walking pattern.
2. If the buttons are not lit, check the 10 pin cable from the keypad to the main board J29. If the cable is connected and good then replace the front panel assembly.

LCD troubleshooting

Perform this test if there is no display on the LCD, but the power supplies test as nominal.

1. Connect an external XGA monitor to the “Display” output on the rear of the instrument.
2. Cycle the power and watch the external monitor. If the monitor does not display the boot up messages and normal operational screen replace the main board.
3. If the external monitor does show the nominal screen, check the gray ribbon cable from the internal display to J17 on the main board. This carries the XGA data to the display.
4. If the gray ribbon cable is OK, check to see if the backlight is on. Look into the vent holes along the left side of the bezel while you cycle the power. You should see the backlight come on when power is reapplied. It may help to be in a low light area to see the backlight.
5. If the backlight is on, replace the front panel assembly.
6. If the backlight is not on, check the backlight power cable from the backlight inverter (on the rear of the display assembly) to the main board J18. Also check connector J18 itself for any solder issues.
7. If the backlight is still bad, replace the front panel assembly — although there is still a small chance the problem is in the main board.

Audio Power-up Diagnostic Failure

It is sometimes difficult to isolate the root cause of audio problems. Most audio problems are due to faults on the audio board, but the audio board communicates with the main board, so in some cases the problem may be there as well.

Audio Power-up Diagnostic Detailed Information. The Power-up Diagnostic does the following:

- Reads all of the AES decoder internal registers and verifies that what is read is correct
- Reads all of the D/A internal registers and verifies that what was read is correct
- Performs an active-bit test on the A/D output clocks
- Checks the serial EEPROM to see which of the analog inputs have been calibrated
- Tests the Audio DSP/FPGA interface
- The main CPU detects if the DSP heartbeat fails. This condition will be shown in the diagnostic log

For audio boards, not all errors are reported by the power up diagnostics. Therefore, if you are detecting a loss in audio functionality, check the diagnostic log for any reported audio errors. If any errors are found, perform the following

procedure to narrow the problem to either the audio board, the main board, or the connection between them.

1. Prepare a test oscilloscope with the following settings:

Control	Setting
Vertical Scale	2.00 V/div
Horizontal Scale	5.00 μ s/div

2. If the diagnostic log contains an entry that reads **Fail Audio DSP Self Test fpga**, do the following substeps:
 - a. Check audio board DS511, the FPGA programmed indicator in the Main board power supply test points and LEDs. (See Figure 4-1 on page 4-24.). If this LED is off, skip to step b; otherwise probe pin D21 of connector J641 of the Audio board (the connector to the Main board) during the boot sequence. If the signal on the pin toggles, replace the main board; otherwise, replace the audio board.
 - b. Probe pin D20 of J641 on the audio board during the boot sequence. If the signal does not exhibit a low-to-high transition, replace the main board.
 - c. Probe pins A11 and B11 of connector J641 during the boot sequence. If the signal on either of these pins does not toggle, replace the main board.
 - d. Probe pin D19 of J641 on the audio board during the boot sequence. If the signal does not exhibit a low-to-high transition replace the audio board.
 - e. If all signals in a through d are correct replace the audio board.
3. If the Diagnostic Log screen reports the failure **Audio DSP Self Test-dsp0**, perform the following procedure:
 - a. Check to see if the audio board is recognized by the main board by pressing the **Main** button, then **CONFIG** and selecting **Utilities > View HW/SW Version**.
 - b. If there is an audio option listed, suspect the audio board; otherwise, proceed to step c.
 - c. Probe pins E15 through E22 and pins D16, 17, 18, and C17 on the audio board connector J641, and verify that the signals on all pins are toggling. If any signals are not toggling, replace the main board.
 - d. Probe pins C15, C16, and C18 on connector J641 during boot up and verify that the signals toggle. If they are not toggling, suspect the main board.
 - e. Probe pin B21 on audio board connector J641 during the boot sequence. If the signal does not toggle, replace the audio board; otherwise, replace the main board.
 - f. If all of these steps pass, replace the audio board.

4. If the Diagnostics log reports **Audio DSP Self Test-dsp1**, perform the following procedure:
 - a. Check to see if surround display is functioning correctly by doing the following.
 - i. Press and hold the **Audio** button.
 - ii. In the audio menu, select **Aux Display>Surround Display**.
 - iii. Press the **Audio Input** Menu button, then select **Audio Input> AES A**.
 - iv. Connect an AES test tone generator to the AES A IN 1, 2 connector.
 - b. If there is nothing displayed on the surround display, proceed to step c; otherwise, replace the audio board.
 - c. Probe pins E15 through E22 and pins D16, 17, 18, and C17 on audio board connector J641, and verify that the signals on all pins are toggling. If any signals are not toggling, replace the main board.
 - d. Probe pins C15, C16, and C19 on connector J641 during the boot sequence, and verify that the signals on the pins toggle. If they do not toggle, suspect the main board.
 - e. Probe pin B22 on audio board connector J641. If the signal on the pin does not toggle, replace the audio board; otherwise replace the main board.
 - f. If all of these steps pass, replace the audio board.
5. If the Power-Up Diagnostics screen reports **Audio DSP Self Test - X**, where X is any other number, replace the audio board.

Examine Power-up diagnostics results in the Diagnostic Log

To examine the Power-up Diagnostics results, press the **CONFIG** button, then select **Utilities > View Diagnostic Log**.

Each power up is indicated by a boot time stamp, followed by a list of power on tests. If any failures are indicted then refer to the action as noted above.

Run Advanced Diagnostics

To run the Advanced diagnostics, press the **CONFIG** button, then select **Utilities > Run Advanced Diags..**

A series of tests will be run; the exact tests will depend on which options are present in the instrument. There are four distinct parts to the advanced diagnostic results screen: a top section which shows Frequencies and Versions, a middle section of Pass/Fail tests, a lower section which shows SDI and Video bus activity, and, finally, narrow YRGB ramps at the very top and bottom to look for missing bits on the display interconnect.

Frequencies are shown in the Top Section — read carefully! These tests do not show a pass/fail result, even if zero. Measurements are relative to the 25 MHz

VGA clock. Refer to Table below to see the limits for the frequencies. (See Table 4-8.)

The Middle section shows pass/fail tests. These are mainly bus tests between FPGAs, Memory, CPU, etc. Some tests cover busses from an option board to the main board. In this case it is difficult to tell which end is at fault. Generally there will be multiple failures, so the most likely cause is evident. If not, the best path may be to replace the option card first. If that does not fix the problem then replace the main board.

The bottom section of the diagnostics results screen shows bus activity for the SDI input bus and the display bus from the processor to the FPGA. The SDI bus activity indicators may not move for some test signals; use 10 bit bars or sweep. Also, SD inputs only have 10 active bits on the Deserializer bus, while HD has 20 bits. The unit will stay in SD or HD mode, as it was before the ADV diagnostic mode was initiated.

The last section of the Advanced Diagnostic Screen are the color ramps at the top and bottom of the screen. These can be used to check the bits provided to the LCD. If any bits are missing then you will see banding in the ramps. It is normal to see some bands about 1/8 inch (2 mm) wide, especially near the lower intensity regions of the ramp. This is because the LCD is only 6 bits, so there are 64 steps in the ramp. However, any larger steps or any non-monotonic regions indicate a problem. Check the cable to the LCD, perform the LCD diagnostic procedure, or replace the display assembly. It is also possible for the main board to cause problems in this area.

Table 4-8: Advanced diagnostic measurements

Measurement	Min	Max
VGA Clock	64.4375 MHz	64.4575 MHz
QDR Clock	25.1650 MHz	25.1850 MHz
SD Eye	35.9844 MHz	36.0564 MHz
HD Eye	59.3106 MHz	59.4924 MHz
Audio PLL 1	12.2780 MHz	12.2980 MHz
Audio PLL 2	12.2780 MHz	12.2980 MHz
HSYNC PW	20.4 μs	20.8 μs
VSYNC PW	18974.9 μs	19174.9 μs
Lissajous	61.3900 MHz	61.4900 MHz

Isolating Advanced Diagnostic Lissajous Errors

The advanced diagnostics tests the lissajous data path between the audio and main boards. A failure in this data path can be due to a problem on either board.

Perform the following tests to isolate the problem to one board or the other.

If the advanced diagnostics detect an error in the lissajous circuitry, then it will display a failure in one of the following categories:

- **Lissajous Frequency:** should be 61.44 MHz \pm 0.05 MHz.
- **Lissajous Bus V2:** pass/fail.

1. If there are any failures, prepare a test oscilloscope with the following settings:

Control	Setting
Vertical Scale	2.00 V/div
Horizontal Scale	200 ns/div

2. If there is a Lissajous Frequency failure, perform the following substeps:

- a. Put the oscilloscope probe on pin B3 of connector J641 on the audio board. Verify the signal is $\approx 3 V_{p-p}$ and is a continuous 50% duty-cycle squarewave.
- b. If the signal at J641 is not as described in step a, the audio board most likely has a failure; otherwise, replace the main board.

3. If there is a Lissajous Bus V2 failure, perform these substeps:

- a. Put the scope probe on connector J641 pin B2 of the audio board and verify the signal is $\approx 3 V_{p-p}$ and toggles low at regular intervals.
- b. If the signal on pin B2 looks OK, put the scope probe on pin B4. Pin B4 is the data line and the signal will have a somewhat random look depending on the audio source. Just verify that the signal is toggling and is $\approx 3 V_{p-p}$.
- c. If either signal looks bad at J641 the audio board most likely has a failure, otherwise replace the main board.

Option EYE/PHY Troubleshooting

The EYE/PHY functions depend on the EYE and Main boards, and the interconnections between them.

Major Operational or Diagnostic Failure.

- Check that the 110 pin CPCI connector between the Eye and Main boards, is correctly seated and secure.
- Check that the ribbon cable from the Eye board to the main board is securely plugged into J5 on the eye board and J16 on the main board.

Eye Pattern or Jitter Waveform Display Problems. Jitter waveform display is only available with Option PHY. The Eye Pattern and Jitter Waveform displays are formed from data sampled from the input signal and the recovered clock sine wave. Eye display bandwidth, rise and fall time, and transient response aberrations are controlled by circuits contained on the Eye board.

Cable Loss, Approx Cable, and Source Level Readout Problems. These measurements are made by a “cable meter” circuit. This circuit is located on the EYE board, but is largely independent from the Eye and Jitter display and measurement functions. If other EYE/PHY functions operate correctly, then a “cable meter” circuit problem is indicated. Replace the EYE/PHY board.

Jitter Readout and Jitter Meter Problems. These measurements are derived from sampled recovered clock sine wave data. Operation is unlikely to fail if the basic Eye pattern display works correctly. Measurement accuracy is not adjustable, but jitter noise floor depends on adjustment of Eye HD CDR calibration items.

Eye Amplitude, Eye Risetime, Eye Falltime, and Eye Rise-Fall (difference) Readout Problems. These readouts are only available with Option PHY. These readouts are derived from the Eye pattern display. Measurement accuracy depends on the Eye Gain calibration items, and on front-end bandwidth and transient response, which are not adjustable. Operation is unlikely to fail if the basic Eye pattern display works correctly.

It is normal for these measurements to stop or become intermittent if there is excessive waveform noise, aberrations, jitter, or cable loss.

Option 3G/JIT Troubleshooting

The 3G/JIT functions depend on the 3G and Main boards and the interconnections between them.

Major Operational or Diagnostic Failure.

- Check that the 110 pin CPCI connector between the 3G and Main boards is correctly seated and undamaged.
- Check that the ribbon cable from the 3G board to the Main board is securely plugged into J5 on the 3G board and J16 on the Main board.

Basic SD or HD Operation Problems. For SD (270 Mbps) and HD (1.5 Gbps) signals, the signal path to the Main board is short and direct. The problem may be on either the 3G board or the Main board. If SDI OUT fails when configured for Loop Out A or B, then replace the option 3G board. If available, a Mezzanine board may be installed in place of the 3G board for troubleshooting purposes to verify basic SD/HD operation of the Main board.

Basic 3 Gbps Operation Problems. If using an independent 3 Gbps source, check that the SDI Output is not configured for Loop Out Test Signal. If basic SD (or optional HD) operation is good on both SDI A and SDI B inputs but 3 Gbps operation fails, then replace the option 3G board.

Jitter Waveform Display Problems. Jitter Waveform display for 3 Gbps signals is available only with option JIT. The jitter waveform is derived from the sampled recovered clock sine wave.

Jitter Readout and Jitter Meter Problems. These measurements are derived from sampled recovered clock sine wave data. Operation is unlikely to fail if the jitter waveform display works correctly. The jitter noise floor depends on 3G board circuits as well as the signal source.

Loop Out Test Signal Problems. Loop Out Test Signal is available only with option JIT. The Loop Out Test Signal is designed to operate only if either a 3 Gbps signal or no signal is applied to the selected SDI input. The Test Signal may be momentarily interrupted if an HD, SD, or analog composite signal is detected at the selected input. The Loop Out Test Signal generation is contained wholly on the 3 Gbps board.

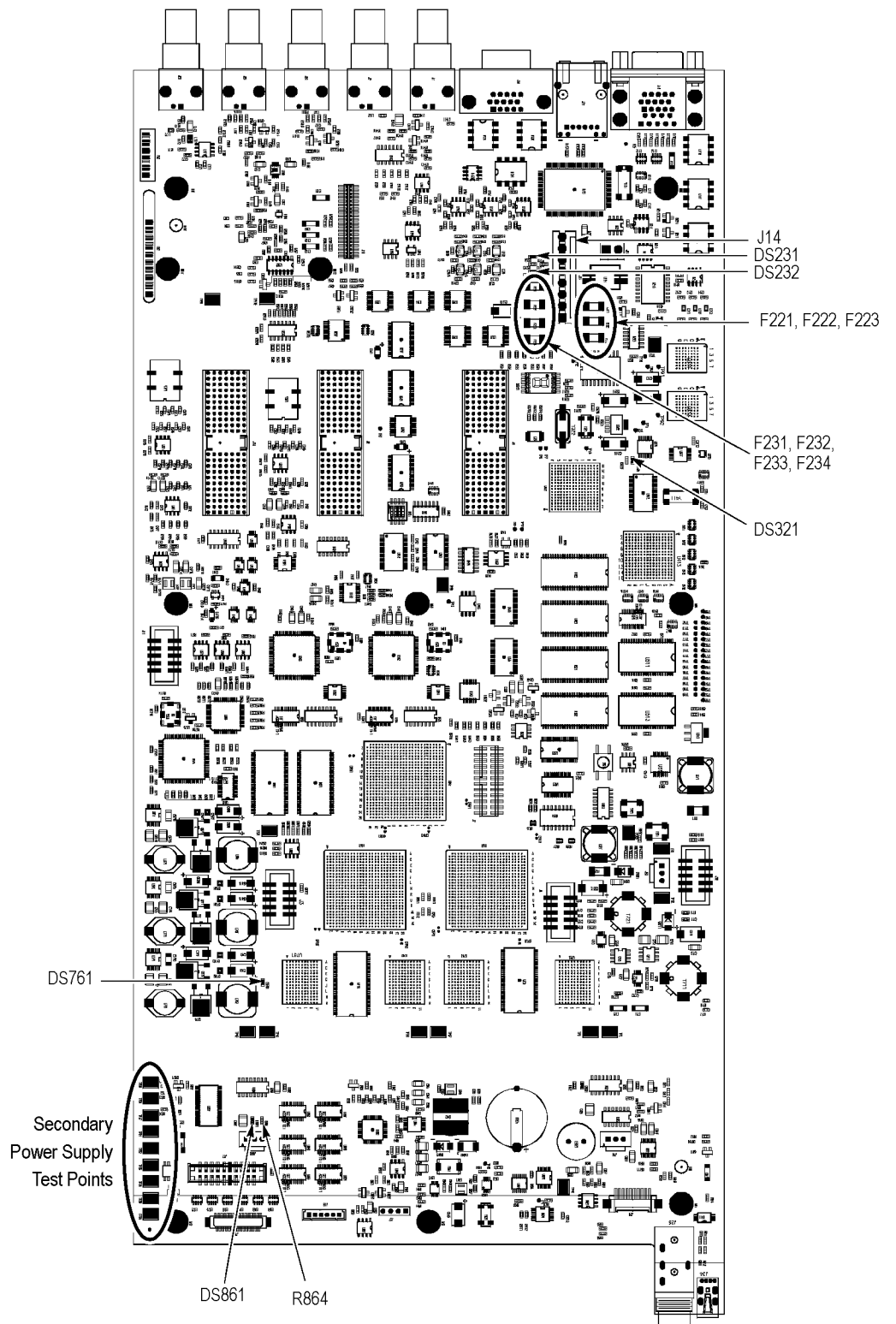


Figure 4-1: Main board power supply test points and LEDs

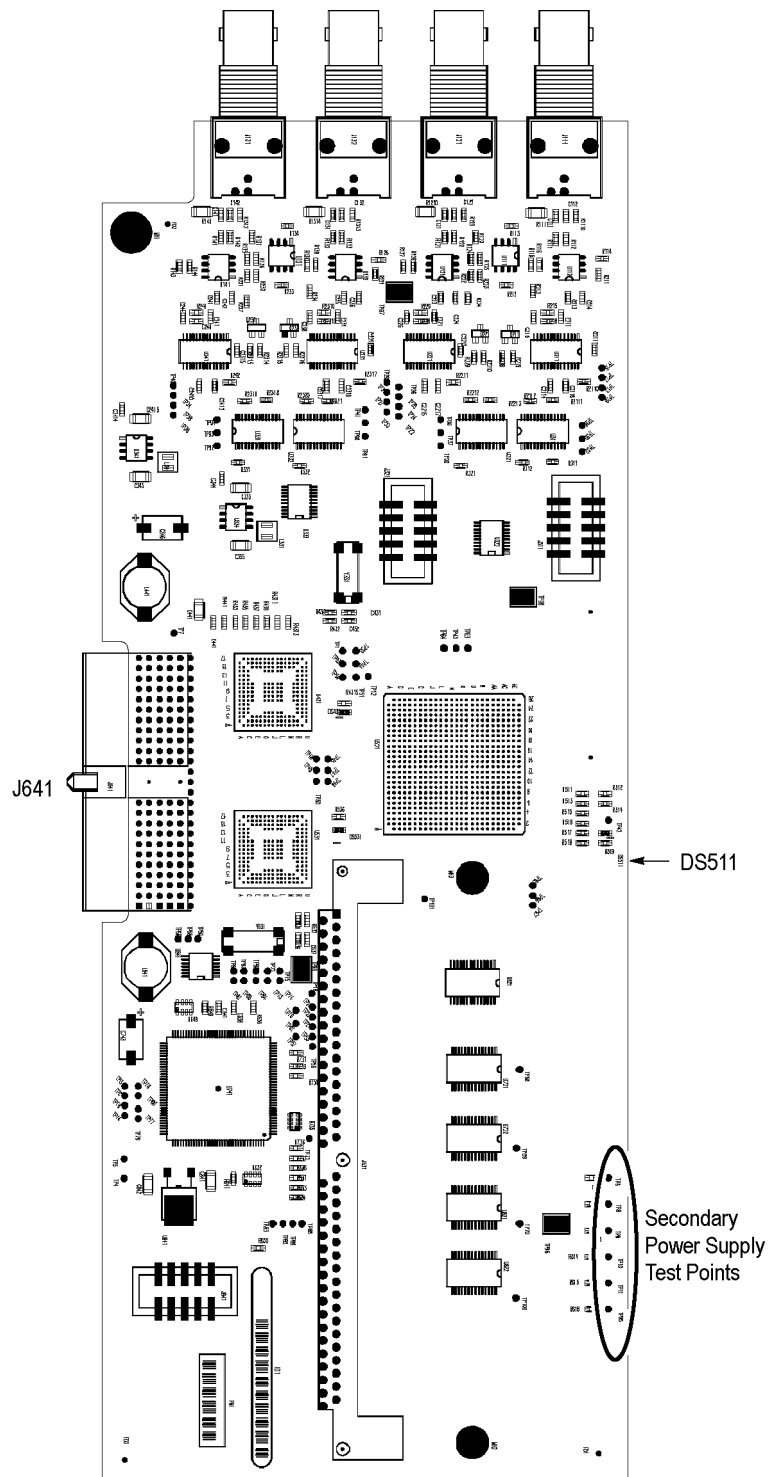


Figure 4-2: Audio Main board power supply test point locations

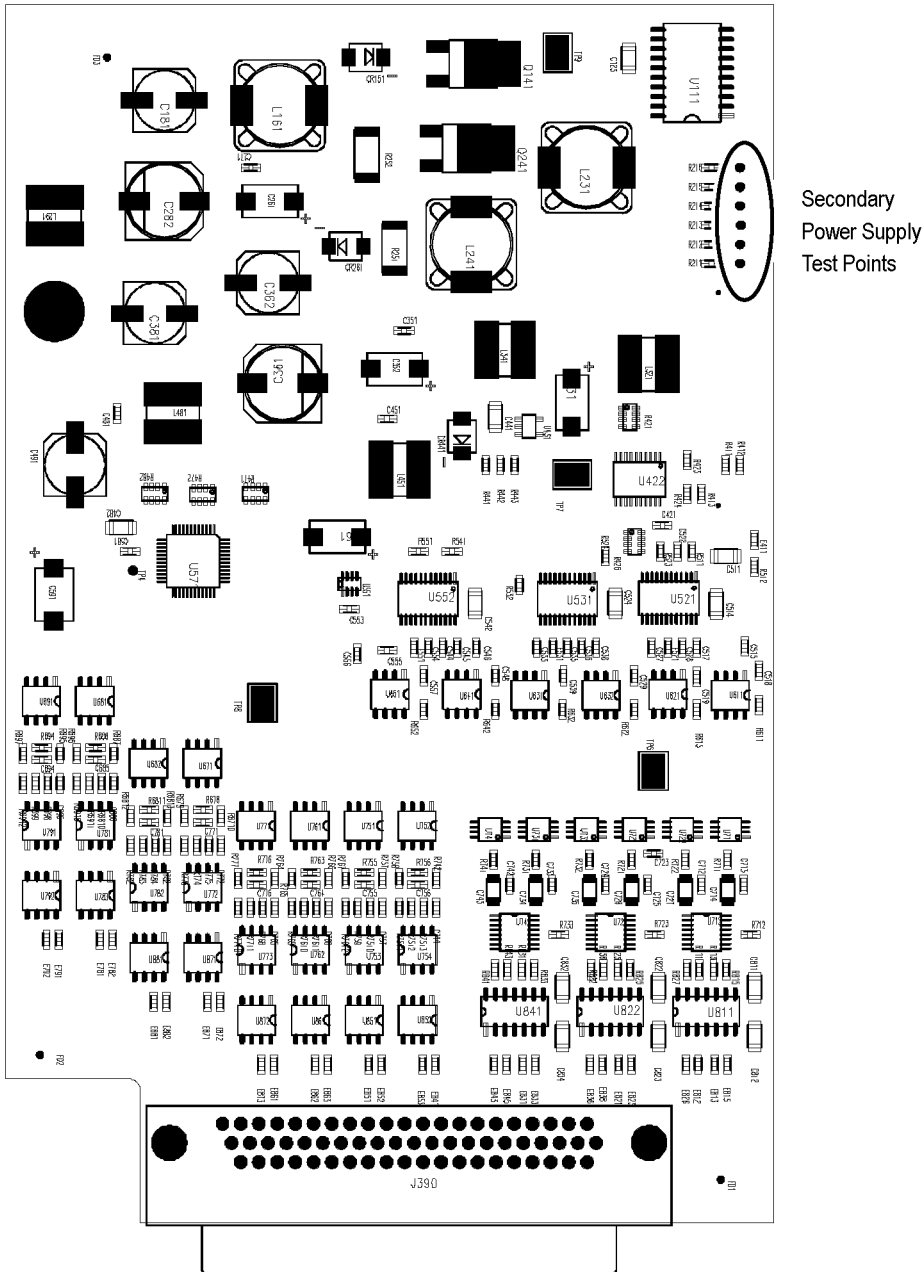


Figure 4-3: Analog audio board power supply test point locations

Removal and Replacement Procedures

This section contains information about removal and replacement of all modules in the waveform monitor.

Preparation



WARNING. Before doing this or any other procedure in this manual, read the safety summaries found at the beginning of this manual. Also, to prevent possible injury to service personnel or damage to the instrument components, read *Installation in Section 2, and Preventing ESD in this section.*

This subsection contains the following items:

- This preparatory information that you need to properly do the procedures that follow.
- List of tools required to remove and disassemble all modules.
- Procedures for removal and reinstallation of the modules.



WARNING. Before doing any procedure in this subsection, disconnect the power cord from the line voltage source. Failure to do so could cause serious injury or death.

NOTE. Read *Equipment Required* for a list of the tools needed to remove and install modules in this instrument. (See Table 4-9 on page 4-27.) Read the *cleaning procedure* before disassembling the instrument for cleaning.

Equipment Required. Most modules in the instrument can be removed with a screwdriver handle mounted with a size T-10, Torx screwdriver tip. All equipment required to remove and reinstall the modules is listed in the following table. (See Table 4-9 on page 4-27.)

Table 4-9: Tools required for module removal

Item no.	Name	Description	General Tool number
1	Screwdriver handle	Accepts Torx-driver bits	620-440
2	T-10 Torx tip	Used for removing most instrument screws. Torx-driver bit for T-10 size screw heads	640-235

Table 4-9: Tools required for module removal (cont.)

Item no.	Name	Description	General Tool number
3	T-15 Torx tip	Used for removing instrument screws. Torx-driver bit for T-15 size screw heads	640-247
4	1/8 inch flat-bladed screwdriver	Screwdriver for unlocking cable connectors	Standard tool
5	Angle-Tip Tweezers	Used to remove front panel knobs	Standard tool
6	3/16 inch nut driver	Used to remove jack screws and front panel standoffs	Standard tool
7	5/16 inch nut driver	Used to remove nut on AC ground lug	Standard tool
8	MA-800G Soldering Aid (spudger)	Used to remove the front panel trim	Standard tool
9	Bomar DB36400	Special BNC socket wrench with Controlled Torque. Used to remove Audio board BNCs	-----
10	Soldering iron (15 W)	Used for replacing Main board fuses	Standard tool
11	Long nose pliers	Used to compress connector lock tabs	Standard tool

Module Removal

The removal of most of the modules is a straightforward process, and can be determined by a quick study of the exploded diagrams in the *Replaceable Parts List* in Section 5. The table below shows what to remove to access each module. (See Table 4-10 on page 4-28.)

Table 4-10: Module removal

You must first remove	To remove							
	Composite	Mezzanine	EYE/PHY or 3G	Audio assy	Power supply	Main	Front panel	LCD assy
Top cover	X	X	X	X	X	X	X	X
Board supports	X	X	X	X	X	X		
Composite		X				X		
Mezzanine						X		
EYE/PHY or 3G						X		
Analog audio					X	X		
Audio main					X	X		
Main board								

Table 4-10: Module removal (cont.)

You must first remove	To remove						
	Composite	EYE/PHY Mezzanine or 3G	Audio assy	Power supply	Main	Front panel	LCD assy
Power supply					X		
Fan assembly					X		
Front panel					X		X
LCD assembly					X	X	

Top cover

The top cover is a slip-lock design.

1. Remove the two T-10 screws at the top cover front corners.
2. Remove the four T-10 screws securing the top cover to the rear panel.
3. Slide the top cover back approximately ½ inch and then lift it from the chassis.

Board supports

The board supports span across the instrument, holding the tops of the module circuit boards in place.

1. Remove the two T-10 screws securing each board support, and then lift them from the chassis.
2. When reinstalling the board supports, make sure that the module circuit boards line up with the slots in the board supports.

Rear panel

The rear panel is formed by the chassis and the individual module rear panels, which overlap and are bolted together. (See Figure 4-4 on page 4-30.)

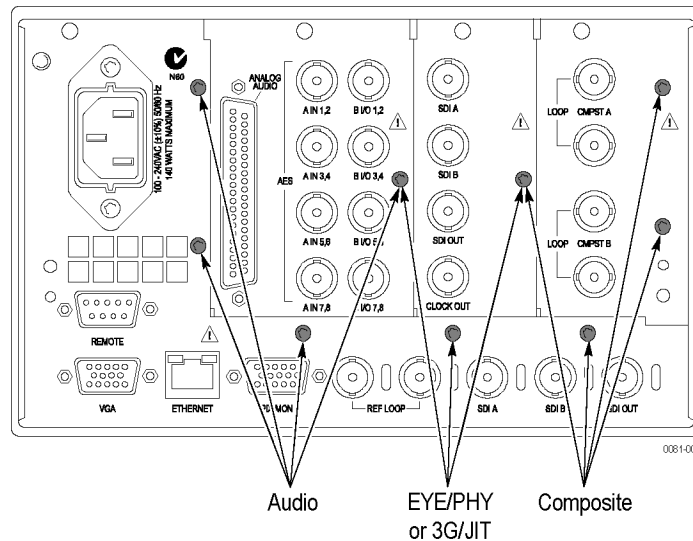


Figure 4-4: Module securing screws

Composite board (Option CPS)

The Composite board, if installed, is located in the right module bay. (See Figure 4-4 on page 4-30.)

1. Remove the four T-15 screws securing the Composite module to the rear panel.
2. Lift the Composite module out of the instrument, rocking it gently until the connector separates from J13 on the Main board. It may help to loosen the three screws that hold the EYE/PHY or 3G rear panel (or blank).

Mezzanine board

The Mezzanine board, if installed, is located below the right module bay.

1. Remove the nuts securing the three SDI BNC connectors in the lower right corner of the rear panel.
2. Disconnect the ribbon cable from J4 on the Mezzanine board.

NOTE. Do not pull on the ribbon cable. Grip the body of the connector, or pry the connector away from the plug with a small screwdriver.

3. Remove the two T-15 screws securing the Mezzanine board to the Main board.
4. Move the Mezzanine board toward the front of the instrument until the BNC connectors clear the rear panel, then lift it up out of the instrument.

**EYE/PHY board
(Option EYE/PHY) or
3 Gbps (Option 3G)**

If an EYE/PHY board or Option 3G board is installed, it is located in the center module bay. (See Figure 4-4 on page 4-30.)

1. Disconnect the ribbon cable from J5 on the module.

NOTE. *Do not pull on the ribbon cable. Grip the body of the connector, or pry the connector away from the plug with a small screwdriver.*

2. Remove the three T-15 screws securing the module to the rear panel.
3. Lift the module out of the instrument, rocking it gently until the connector separates from J9 on the Main board. It may help to loosen the other rear panel screws.

**Audio boards (Options AD
and DDE)**

The Audio option boards, if installed, are located in the left module bay, near the power supply. (See Figure 4-4 on page 4-30.)

DDE board. The circuit board for option DDE may be removed without removing the entire Audio module.

1. Unsnap the spring clips at each end of the option DDE circuit board.
2. Swing the top of the DDE board away from the Audio Main board.
3. Lift the option DDE board out of the instrument.

Analog Audio and Audio Main boards. Remove the entire Audio module as a unit. If necessary the two boards may be separated.

1. Remove the four T-15 screws securing the Audio module to the rear panel.
2. Lift the Audio module out of the instrument, rocking it gently until the connector separates from J8 on the Main board. It may help to loosen the other rear panel screws.
3. Use a $\frac{3}{16}$ inch nutdriver to remove the jackscrews securing the ANALOG AUDIO connector.
4. Remove the special nuts securing the eight audio BNC connectors to the rear panel.

NOTE. *Special nuts are used on the BNC connectors, due to the close physical spacing, and a special tool is needed to remove them. (See Table 4-9 on page 4-27.)*

5. Remove the Audio module rear panel from the two circuit boards.
6. Separate the Audio module circuit boards at J1130.

- Power Supply**
1. Disconnect the brown, blue, and green/yellow primary wires from the line filter. (See Figure 5-1 on page 5-5.)
 2. Disconnect the green/yellow ground wire from the chassis, using a $\frac{5}{16}$ inch nutdriver. (See Figure 5-1 on page 5-5.)
 3. Disconnect the power cable from J14 on the Main board.
 4. From outside the instrument, remove the four T-10 screws securing the power supply shield to the chassis.
 5. Lift the power supply out of the chassis.
 6. Disconnect the line filter cable from J1 on the power supply.
 7. Disconnect the power cable from J2 on the power supply.
 8. Remove the two T-15 screws securing the power supply to the shield.
 9. Lift the power supply out of the shield.

- Fan assembly** Remove the fan and baffle as a unit.
1. From outside the instrument, remove the one T-10 screw on each side of the instrument that secures the baffle to the chassis.
 2. Use long nose pliers to compress the lock tab on the connector, and disconnect the fan power cable from J890 on the Main board. (See Figure 4-5 on page 4-33.)
 3. Lift the baffle out of the instrument.
 4. When replacing the fan and baffle, make sure that the guide pins and slots line up correctly, top and bottom.

- Front panel/LCD assembly** Remove the front panel and LCD assembly as a unit. For additional clearance you may remove the Fan assembly first.
1. Remove the six T-10 screws that secure the front panel assembly to the chassis, two on each side and two on the bottom.
 2. Pull the front panel assembly forward, being careful of the Main board extension containing the headphone and USB connectors, until they clear the LCD bracket.
 3. Disconnect the cables connecting the Front panel/LCD assembly to the Main board at J17, J18, and J29. (See Figure 4-5 on page 4-33.)

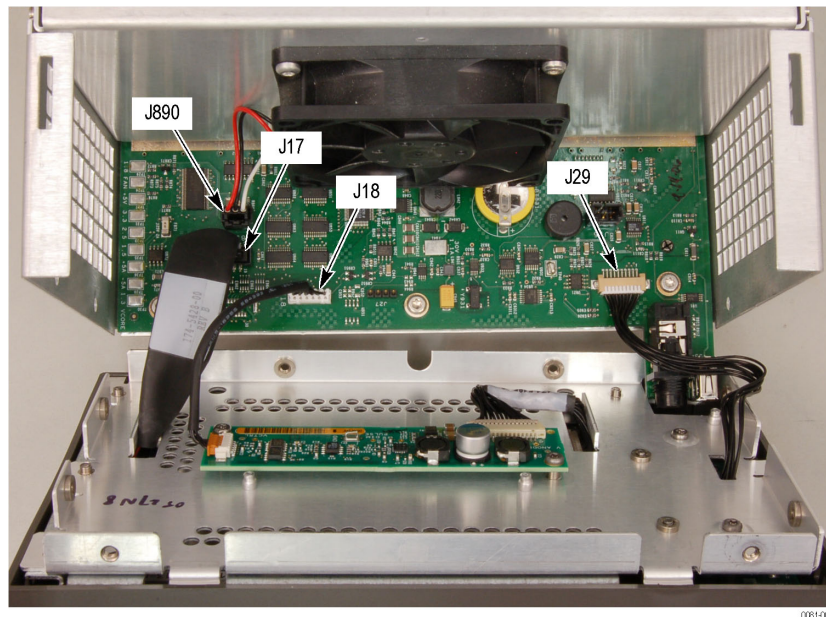


Figure 4-5: Front panel cable connections

Remove the bezel from the LCD assembly.

4. Remove the two T10 screws securing the bezel to the Front Panel board. (See Figure 4-6 on page 4-34.)
5. Remove the two Pozidriv screws securing the bottom of the bezel to the display bracket.
6. Use a spudger or other tool to pry the bezel clips away from the bracket and then pull the bezel away, leading the front panel cable through the cutout in the bracket.

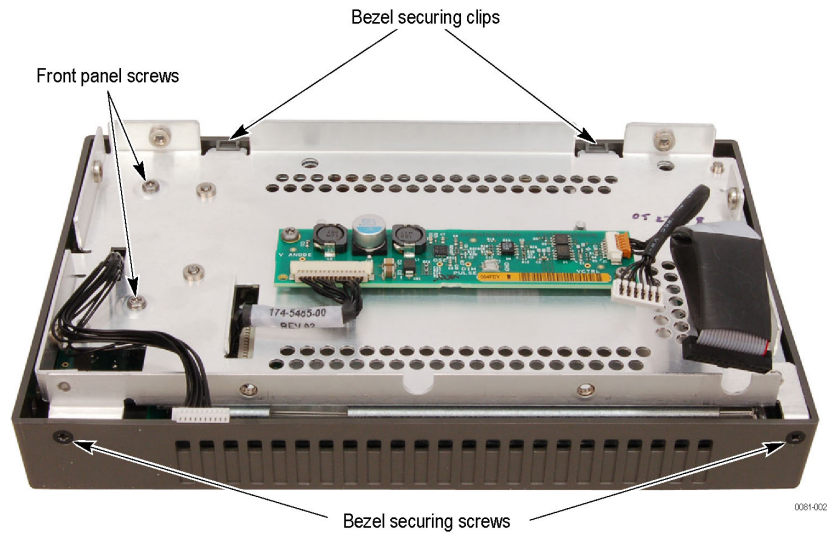


Figure 4-6: Front panel disassembly

LCD backlight (B030000 and Above). You must partially disassemble the LCD assembly to change the backlights.

There are two backlights. One is located at the top of the LCD assembly and one is located at the bottom of the LCD assembly. Each can be accessed from its respective corner of the assembly. Perform the following procedures to remove the backlights.

1. Remove the six screws attaching the LCD assembly to the display bracket. You will have to push the poron gasket aside with the screwdriver to access the screws.
2. Separate the LCD assembly and the display bracket, and lay the LCD assembly face down on a soft, static-free surface.
3. Remove the two screws attached to the right-hand bracket of the LCD display assembly. The right-hand bracket is on the right when the assembly is facing you as shown. (See Figure 4-7.)

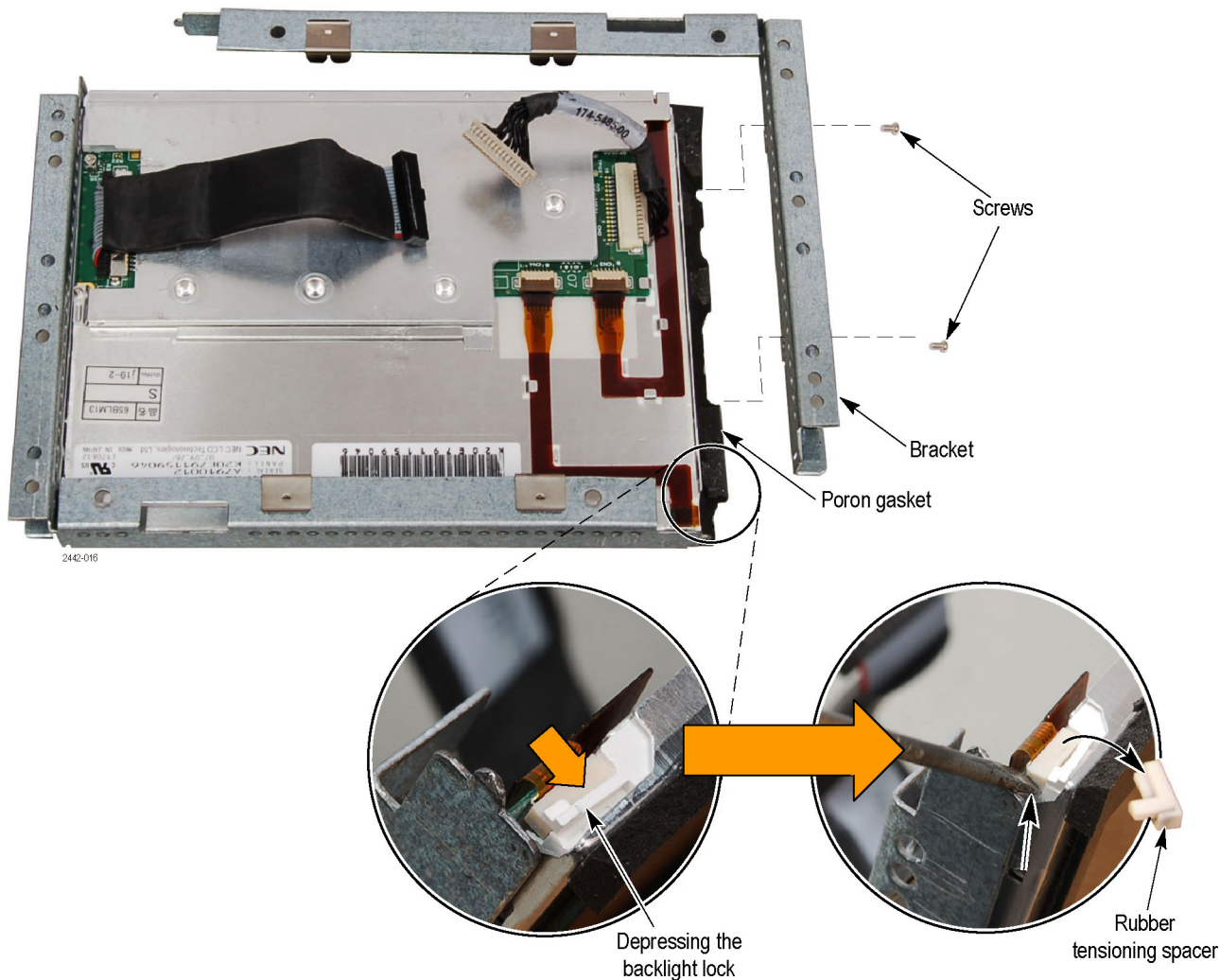


Figure 4-7: LCD Assembly bracket and backlight lock

4. Gently separate the poron gasket from the bracket and remove the bracket.
5. While depressing the small white plastic backlight lock (located on the corner of the assembly), remove the rubber tensioning spacer using a thin object.



CAUTION. To prevent damage, do not bend the flex circuitry. Carefully remove the flex circuit from the metal guides and connector latch.

6. Lift up on the flex circuit connector latch and remove the flex circuit from the connector. (See Figure 4-8.)

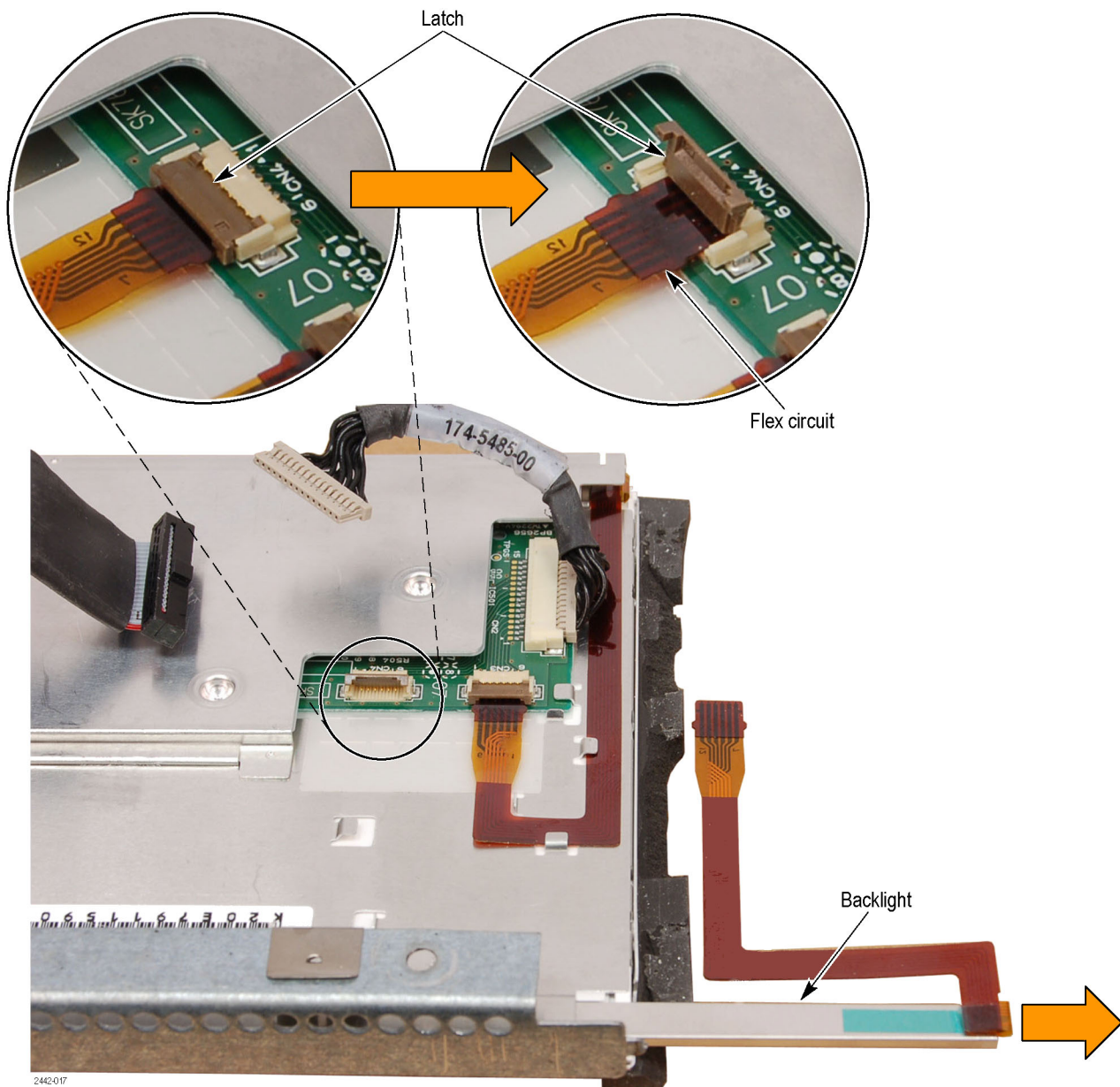


Figure 4-8: Backlight removal (B030000 and above)

7. Carefully remove the flex circuit from the metal guides.
8. Pull the backlight straight out (to the right) from the assembly.
9. To remove the other backlight, repeat the previous four steps.

LCD backlight (B029999 and Below). You must separate the LCD assembly from the frame to change the LCD backlights.

1. Disconnect the two backlight cables from the Inverter board.
2. Remove the four T-10 screws securing the LCD assembly to the frame.
3. Pull the LCD assembly away from the frame, taking note of the routing of the backlight cables.
4. Remove each of the backlight tubes by pressing down on the clip and pulling it from the LCD assembly. (See Figure 5-3 on page 5-9.)

NOTE. *Avoid touching the LCD backlight tube. Oil from the fingers can cause hot spots and premature failure. If you do touch the backlight tube, clean it with isopropyl alcohol before reinserting the tube into the instrument.*

5. When reassembling, make sure to route the backlight cables as noted in step 3, behind the Front Panel standoffs and clear of the cutout for the USB/Headphone connectors.

Repackaging Instructions

This section contains the information needed to repack the waveform monitor for shipment or storage.

Packaging

When repacking the instrument for shipment, use the original packaging. If the packaging is unavailable or unfit for use, contact your local Tektronix representative to obtain new packaging. Refer to *Contacting Tektronix* on the back of the Title page for the mailing address, the email address, and phone number.

Seal the shipping carton with an industrial stapler or strapping tape.

Shipping to the Service Center

Contact the Service Center to get an RMA (Return Material Authorization) number, and any return or shipping information you may need.

If the instrument is being shipped to a Tektronix Service Center, enclose the following information:

- The RMA number.
- The owner's address.
- Name and phone number of a contact person.
- Type and serial number of the instrument.
- Reason for returning.
- A complete description of the service required.

Mark the address of the Tektronix Service Center and the return address on the shipping carton in two prominent locations.

Replacable Parts

Replaceable Parts

This section contains a list of the replaceable modules for the WFM6120, WFM7020, and WFM7120 Waveform Monitors. Use this list to identify and order replacement parts. Note that not all parts listed in this section are present on every model. The parts present will depend on the model and options installed.

Parts Ordering Information

Replacement parts are available through your local Tektronix field office or representative.

Changes to Tektronix products are sometimes made to accommodate improved components as they become available and to give you the benefit of the latest improvements. Therefore, when ordering parts, it is important to include the following information in your order:

- Part number
- Instrument type or model number
- Instrument serial number
- Instrument modification number, if applicable

If you order a part that has been replaced with a different or improved part, your local Tektronix field office or representative will contact you concerning any change in part number.

Module Servicing

Modules can be serviced by selecting one of the following three options. Contact your local Tektronix service center or representative for repair assistance.

Module Exchange. In some cases you may exchange your module for a remanufactured module. These modules cost significantly less than new modules and meet the same factory specifications. For more information about the module exchange program, call 1-800-833-9200. Outside North America, contact a Tektronix sales office or distributor; see the Tektronix Web site for a list of offices: www.tektronix.com.

Module Repair and Return. You may ship your module to us for repair, after which we will return it to you.

New Modules. You may purchase replacement modules in the same way as other replacement parts.

Using the Replaceable Parts Lists

This section contains lists of the mechanical and/or electrical components that are replaceable for the WFM6120, WFM7020, and WFM7120 Waveform Monitor. Use this list to identify and order replacement parts. The following table describes each column in the parts list.

Parts list column descriptions.

Parts list column descriptions

Column	Column name	Description
1	Figure & index number	Items in this section are referenced by figure and index numbers to the illustrations that follow. Orderable modules show the figure number without an index number.
2	Tektronix part number	Use this part number when ordering replacement parts from Tektronix.
4	Qty	This indicates the quantity of parts used.
5	Name & description	An item name is separated from the description by a colon (:). Because of space limitations, an item name may sometimes appear as incomplete. Use the U.S. Federal Catalog handbook H6-1 for further item name identification.

Abbreviations Abbreviations conform to American National Standard ANSI Y1.1-1972.

Table 5-1: Circuit boards and connectors (See Figure 5-1.)

Fig. & index number	Tektronix part number	Serial no. effective	Serial no. discont'd	Qty	Name & description
5-1					Circuit Boards and Connectors
-1	671-5764-00			*	CIRCUIT BD ASSY; ANALOG AUDIO OPTION BD., 389-3536-00 WIRED (OPTIONS AD, DD, AND DDE)
-2	671-5788-01			*	CIRCUIT BD ASSY; AUDIO MAIN FULL OR DIGITAL OPTION, 389-3535-00 WIRED (OPTIONS DS, AD, DD, AND DDE)
-3	119-7167-00			*	CIRCUIT BD ASSY; CAT552 DOLBY E/DIGITAL DECODER MODULE; 72 PIN SIMM; SAFETY CONTROLLED (OPTION DDE ONLY)
-4	174-5028-00			1	CABLE, ASSY., FLAT RIBBON, 2X20, 4.50 INCH LONG.
-5	671-5902-00			1	CIRCUIT BD ASSY; PHYSICAL LAYER BD.,389-3593-00 WIRED (WFM7120 Opt EYE/PHY ONLY)
	671-5822-00			1	CIRCUIT BD ASSY; PHYSICAL LAYER BD.,389-3593-00 WIRED (WFM6120 Opt EYE/PHY ONLY)
	870-0187-00			1	CIRCUIT BOARD ASSY;3GBT INTERFACE, TESTED, 389-3952-00 (Opt 3G ONLY)
-6	671-5770-01			1	CIRCUIT BD ASSY; ANALOG COMPOSITE,389-3545-00 WIRED
-7	131-7881-00			1	CONN,IO; PCB,USB,SERIES A;FEMALE,RTANG ON EDGE,1 X 4, 2.5MM CTR,13.90 H X 2.0 TAIL,30 GOLD,W/BOARD RETENTION
-8	131-7717-00			1	CONN,JACK PHONE; PCB/PNL;FEMALE,RTANG,3 POS,4 TERM

Table 5-1: Circuit boards and connectors (See Figure 5-1.) (cont.)

Fig. & index number	Tektronix part number	Serial no. effective	Serial no. discont'd	Qty	Name & description
-9	671-6302-00			1	CIRCUIT BD ASSY; DUAL CHANNEL MAIN, 389395500 WIRED (WFM7020, WFM7120)
	671-6379-00			1	CIRCUIT BD ASSY; DUAL CHANNEL MAIN, 389395500 WIRED (WFM6120 ONLY)
-10	119-6801-00			1	POWER SUPPLY; 110W,AC-DC,5VDC 22A OUT,90-264VAC 47-63HZ IN,PFC,75% EFF
-11	337-4342-00			1	SHIELD, POWER SUPPLY; .050 AL, 5052-H32, MILL FINISH;
-12	174-4769-00			1	CA ASSY,SP; HV,BR,15.00 L & 4.00 L;CONN EACH END;LINE FILTER TO PWR SUPPLY
-13	441-2359-00			1	CHASSIS,MAIN; 0.050 AL,SAFETY CONTROLLED
-14	134-0246-00			*	PLUG,HOLE COVER; BUTTON PLUG;0.578 HEAD DIA X 0.406 THK,ACCOM 0.5 DIA HOLE,0.015-0.125 THK PNL,NYLON,BLACK,94V-2;
-15	210-0457-00			1	NUT,PL,ASSEM WA; 6-32 X 0.312,STL CD PL,W/LOCKWASHER
-16	211-0410-00			2	SCR,ASSEM WSHR; 4-40 X 0.437,PNH,STL,CDPL,T-10 TORX DR
-17	131-4131-00			1	CONN,PLUG,ELEC; MALE W/LOCKING ADPTR,EXT MTG,SAFETY CONTROLLED
-18	211-0734-00			4	SCREW,MACHINE; 6-32 X 0.250,FLH100,STL,CDPL,T-10 TORX DR
-19	119-7086-00			1	FILTER,EMI; AC LINE CONNECTOR/INPUT FILTER;6.0A,120-250VAC,DC-400 HZ,2.2 NF CY,100 NF CX,IEC INPUT,FAST-ON/SOLDER LUG OUTPUT,CHASSIS MOUNT,SAFETY CONTROLLED;FN9222-6/06
-20	211-0722-00			2	SCREW,MACHINE; 6-32 X 0.250,PNH,STL,CDPL,T-15 TORX DR
-21	174-5030-00			1	CABLE ASSEMBLY; POWER: PWR SUPPLY TO MAIN BD
-22	129-1617-00			2*	1/4 HEX MALE -FEMALE STANDOFF (ONLY WHEN MEZZANINE BOARD IS INSTALLED)
-23	220-0497-00			*	NUT,PLAIN,HEX; 0.5-28 X 0.562 HEX,BRS CD PL
-24	210-1039-00			21*	WASHER,LOCK; 0.521 ID,INT,0.025 THK,SST
-25	131-M057-00			3	CONN,RF:PCB,FEMALE,BNC,75OHM,EDGE LAUNCH TYPE
-26	671-6281-00			1	CIRCUIT BD SUBASSY; I/O MEZZANINE BD; 389358000;TESTED (WFM7120, WFM7020)
	671-5809-00			1	CIRCUIT BD SUBASSY; I/O MEZZANINE BD; 389358000;TESTED (WFM6120 ONLY)
-27	174-4586-00			1	CA ASSY; RIBBON,2.0 L,DOUBLE ENDED,IDC,FEMALE,2 X 20,0.050 CTR,PLZ (W/MEZZANINE BOARD ONLY)
-28	211-0711-00			2*	SCREW,MACHINE; 6-32 X 0.250,PNH,STL,CDPL,T-15 TORX DR (W/MEZZANINE BOARD ONLY)
-29	214-3903-00			6	SCREW,JACK; 4-40 X 0.312 LONG,0.188 H HEX HEAD STAND OFF,4-40 INT THD, X 0.312 THD EXT 4-40
-30	131-7582-00			1	CONN,DSUB; PCB;FEMALE,RTANG,DUAL STACKED,15 POS HD LOWER,9 POS UPPER,SAFETY CONTROLLED
-31	211-0722-00			9	SCREW,MACHINE; 6-32 X 0.250,PNH,STL,CDPL,T-15 TORX DR
-32	131-7257-00			1	CONN,JACK; PCB/PNL,RJ45,CAT5,W/LEDS YELLOW & GREEN,FEMALE,RTANG,8 POS,0.1 CTR,0.528 H X 0.138 TAIL,10/100 BASE TX AND RX MAGNETICS MODULE,SAFETY CONTROLLED

Table 5-1: Circuit boards and connectors (See Figure 5-1.) (cont.)

Fig. & index number	Tektronix part number	Serial no. effective	Serial no. discont'd	Qty	Name & description
-33	131-5450-00			1	CONN,DSUB; PCB,HIGH DENSITY;FEMALE,RTANG,15 POS,0.078 CTR,0.350 MLG X 0.125 TAIL,4-40 THD INSERT,BD RETENTION,30 GOLD,SAFETY CONTROLLED
-34	131-3378-00			2	CONN,RF,JACK; BNC,50 OHM,FEMALE,RTANG,PCB/REAR PNL,0.5-28 THD,0.625 H X 0.187 TAIL,W/O MTG FLANGE,W/MTG POSTS,METAL BODY
-35	211-0722-00			10*	SCREW,MACHINE; 6-32 X 0.250,PNH,STL,CDPL,T-15 TORX DR
-36	131-3378-00			4	CONN,RF,JACK; BNC,50 OHM,FEMALE,RTANG,PCB/REAR PNL,0.5-28 THD,0.625 H X 0.187 TAIL,W/O MTG FLANGE,W/MTG POSTS,METAL BODY
-37	333-4513-00			1	PANEL,REAR; COMPOSITE OPT. 0.050 AL,5052-H32 MILL FINISH; SAFETY CONTROLLED
-38	333-4514-00			1	PANEL,REAR;EYE OPT.;.050 AL,5052-H32, FINISH ,SAFETY CONTROLLED
-39	131-7564-00			4	CONN,RF PLUG; DUAL STACKED BNC,PCB,PNL MNT,FEMALE,RTANG,75 OHM, ZINC DIE CAST HOUSING
-40	131-M057-00			4	CONN,RF:PCB,FEMALE,BNC,75OHM,EDGE LAUNCH TYPE
-41	220-0271-00			8	SPANNER NUT AND LOCKWASHER
-42	210-0410-00			2*	SCR,ASSEM WSHR; 4-40 X 0.437,PNH,STL,CDPL,T-10 TORX DR (STD)
	214-3903-00			2*	SCREW,JACK; 4-40 X 0.312 LONG,0.188 H HEX HEAD STAND OFF,4-40 INT THD, X 0.312 THD EXT 4-40 (OPT AD OR DDE ONLY)
-43	333-4489-00			1	PANEL,REAR; AUDIO OPTION, 0.050 AL,SAFETY CONTROLLED
-44	200-4800-00			1*	COVER,MINI; 2X FEX-440,SAFETY CONTROLLED (OPTION DS, STD)
-45	131-7272-00			1	CONN, DSUB; PCB/PNL, FEMALE, 62 POS, RTANG, 0.100 CTR, 0.495 H X 0.125 TAIL, 30 GOLD, 4-40 THD INSERTS, BOARD RETENTION, HIGH DENSITY CONN
-46	211-0722-00			2	SCREW,MACHINE; 6-32 X 0.250,PNH,STL,CDPL,T-15 TORX DR (USED WITH WFM7F02 PORTABLE CASE ONLY)

* Quantity will vary depending on instrument model and installed options.

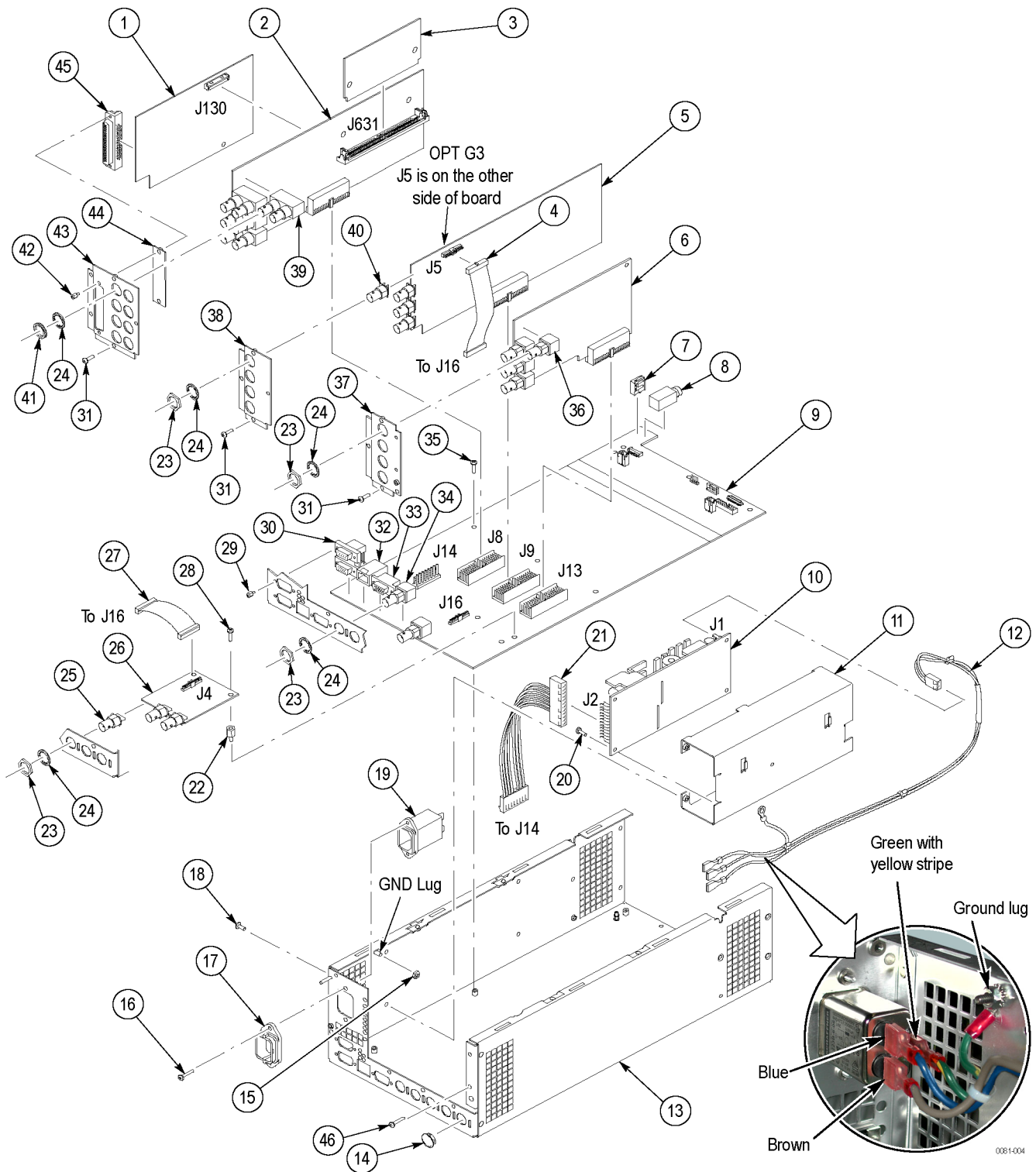
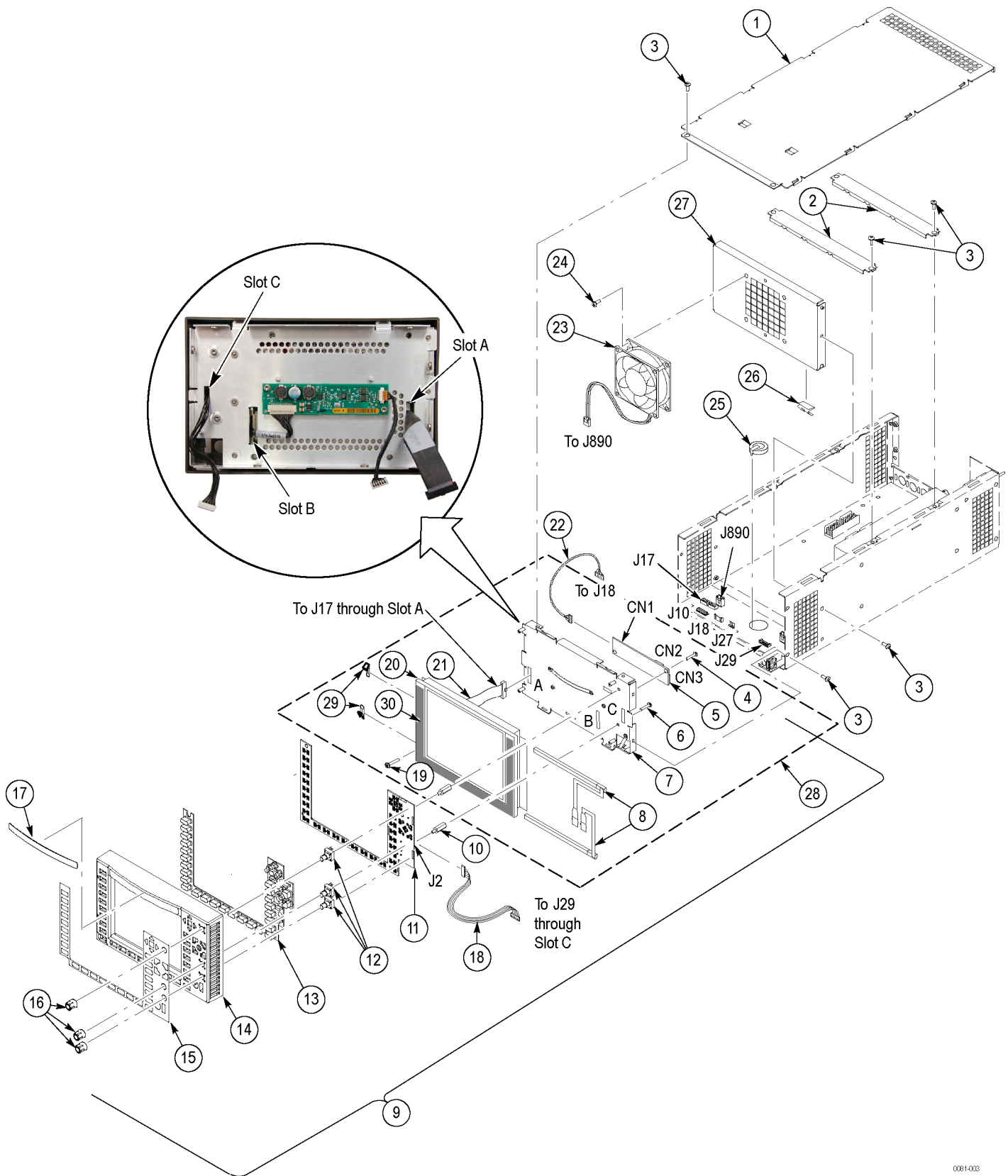


Figure 5-1: Circuit boards and connectors

Table 5-2: Chassis components (B030000 and above) (See Figure 5-2.)

Fig. & index number	Tektronix part number	Serial no. effective	Serial no. discont'd	Qty	Name & description
5-2					Chassis Components
-1	200-4911-00			1	COVER, TOP CHASSIS; TREBUCHET; SAFETY CONTROLLED
-2	386-7435-00			2	SUPPORT, CIRCUIT BOARD
-3	211-0734-00			18	SCREW,MACHINE; 6-32 X 0.250,FLH100,STL,CDPL,T-10 TORX DR
-4	211-1117-00			2	SCREW,MACHINE; 4-40 X 0.187,PAN HEAD,STL,CD PL,T-10,TORX DR
-5	870-0186-00			1	LED BACKLIGHT DRIVER
-6	211-1117-00			2	SCREW,MACHINE; 4-40 X 0.187,PAN HEAD,STL,CD PL,T-10,TORX DR
-7	407-5314-00			1	BRACKET; DISPLAY MOUNTING,FRONT,SAFETY CONTROLLED
-8	150-0335-00			2	LAMP; BACKLIGHT ASSY, LED, REPLACEMENT FOR 119743900 6.5 LCD DISPLAY
-9	614-1044-50			1	ASSEMBLY, FRONT PANEL; WFM6100 GRANDE (WFM6100)
-10	129-1636-00			2	SPACER POST: 4-40M/F,0.687L,SST,0.188HEX
-11	671-6339-00			1	CIRCUIT BD ASSY; FRONT PANEL,389-3993-00 WIRED
-12	311-2580-00			3	PB-FREE;ENCODER; DIGITAL CONTACTING ENCODER, 24 CPR, NON-DETENTED, 6 MM DIA SHAFT, 17.5 MM LENGTH SHAFT
-13	260-2856-00			1	SWITCH,KEYPAD;ELASTOMERIC,SILICONE RUBBER; FRONT PANEL
-14	426-2631-00			1	FRAME; FRONT BEZEL,PC/ABS,TV GRAY,SAFETY CONTROLLED
-15	335-1807-00			1	LABEL, LEXAN; RIGHT FRONT BEZEL
-16	366-0859-01			3	ASSEMBLY, KNOB; .470 DIAMETER, SOFT TOUCH
-17	335-1841-00			1	MARKER, IDENT, FRONT PANEL ID W/O COMPOSITE, W/EYE, WFM7120
	335-1842-00			1	MARKER,IDENT, FRONT PANEL ID W/O COMPOSITE, W/EYE, WFM7020
	335-1843-00			1	MARKER,IDENT, FRONT PANEL ID W/O COMPOSITE, W/EYE, WFM6120
-18	174-5001-00			1	CABLE ASSEMBLY, 10 PIN; 6.0 INCHES; 28AWG, U STYLE 1061
-19	211-0382-00			4	SCREW,MACHINE; 4-40X0.500,PAN HEAD,T-10 TORX,CD PL
-20	119-7439-00			1	DISPLAY MODULE; LCD, COLOR;1024X768 (XGA), 6.3 DIAG
-21	174-5428-00			1	CA ASSY; SHIELDED RIBBON ADAPTER TO XGA LCD DISPLAY, 20 PIN
-22	174-5493-00			1	CABLE ASSY, SP; DISCRETE, MAIN BD TO BACKLIGHT DRIVER
-23	119-6554-00			1	FAN ASSEMBLY; 12V;0.11A,1.3W,28CFM, 2450RPM,27DBA,80MM SQ X 20MM);6 IN,3 LEAD WITH CONN, UL,CSA,VDE,SAFETY CONTROLLED
-24	211-1050-00			4	SCREW,MACHINE; 6-32 X 0.312 L,PNH,STL CAD PLT,T15
-25	146-0109-00			1	BATTERY,DRY; 3.0V,LITHIUM MANGANESE DIOXIDE,210MAH,20 X 3.22MM COIN CELL WITH SOLDER TABS,CR2032-1HF1
-26	131-6521-00			3	CONTACT,ELEC; EMI,CLIP-ON,0.38 L X 0.500 W (2 CONTACTS) X 0.45 H,ELECTROLESS NICKEL PLATE
-27	407-4999-00			1	BRACKET; FAN MOUNTING,0.050 AL,SAFETY CONTROLLED
-28	650-5134-00			1	LCD & DISPLAY SHIELD, ASSY;WFM7120, WFM7020, WFM6120
-29	214-5152-00			2	SPRING,CLIP; EMI
-30	337-4419-00			1	PORON FOAM SHIELD



0081-003

Figure 5-2: Chassis components (B030000 and above)

Table 5-3: Chassis components (B029999 and below) (See Figure 5-3.)

Fig. & index number	Tektronix part number	Serial no. effective	Serial no. discont'd	Qty	Name & description
5-3					Chassis Components
-1	200-4911-00			1	COVER, TOP CHASSIS; TREBUCHET; SAFETY CONTROLLED
-2	386-7435-00			2	SUPPORT, CIRCUIT BOARD
-3	211-0734-00			18	SCREW,MACHINE; 6-32 X 0.250,FLH100,STL,CDPL,T-10 TORX DR
-4	211-1117-00			2	SCREW,MACHINE; 4-40 X 0.187,PAN HEAD,STL,CD PL,T-10,TORX DR
-5	119-5999-00			1	POWER SUPPLY; INVERTER BOARD,REPLACEMENT FOR LCD
-6	211-1117-00			2	SCREW,MACHINE; 4-40 X 0.187,PAN HEAD,STL,CD PL,T-10,TORX DR
-7	407-5261-00			1	BRACKET; DISPLAY MOUNTING,FRONT,SAFETY CONTROLLED
-8	150-0319-00			2	LAMP; CCFL,REPLACEMENT FOR FOR LCD 119720500 6.3 LCD
-9	614-1044-50			1	ASSEMBLY, FRONT PANEL; WFM6100 GRANDE (WFM6100)
-10	129-1636-00			2	SPACER POST: 4-40M/F,0.687L,SST,0.188HEX
-11	671-6339-00			1	CIRCUIT BD ASSY; FRONT PANEL,389-3993-00 WIRED
-12	311-2580-00			3	PB-FREE;ENCODER; DIGITAL CONTACTING ENCODER, 24 CPR, NON- DETENTED, 6 MM DIA SHAFT, 17.5 MM LENGTH SHAFT
-13	260-2856-00			1	SWITCH,KEYPAD;ELASTOMERIC,SILICONE RUBBER;FRONT PANEL
-14	426-2631-00			1	FRAME; FRONT BEZEL,PC/ABS,TV GRAY,SAFETY CONTROLLED
-15	335-1807-00			1	LABEL, LEXAN; RIGHT FRONT BEZEL
-16	366-0859-01			3	ASSEMBLY, KNOB; .470 DIAMETER, SOFT TOUCH
-17	335-1841-00			1	MARKER, IDENT, FRONT PANEL ID W/O COMPOSITE, W/EYE, WFM7120
	335-1842-00			1	MARKER,IDENT, FRONT PANEL ID W/O COMPOSITE, W/EYE, WFM7020
	335-1843-00			1	MARKER,IDENT, FRONT PANEL ID W/O COMPOSITE, W/EYE, WFM6120
-18	174-5001-00			1	CABLE ASSEMBLY, 10 PIN; 6.0 INCHES; 28AWG, U STYLE 1061
-19	211-0382-00			4	SCREW,MACHINE; 4-40X0.500,PAN HEAD,T-10 TORX,CD PL
-20	119-7205-00			1	DISPLAY MODULE; LCD, COLOR;1024X768 (XGA), 6.3 DIAG
-21	174-5428-00			1	CA ASSY; SHIELDED RIBBON ADAPTER TO XGA LCD DISPLAY, 20 PIN
-22	174-3767-01			1	CABLE ASSY, SP; DISCRETE, BACKLIGHT, IDC, 26 AWG, 5.0 L, PCB, 1 X 6, 0.079 CTR (2MM), SHRINK WRAPPED
-23	119-6554-00			1	FAN ASSEMBLY; 12V;0.11A,1.3W,28CFM, 2450RPM,27DBA,80MM SQ X 20MM);6 IN,3 LEAD WITH CONN, UL,CSA,VDE,SAFETY CONTROLLED
-24	211-1050-00			4	SCREW,MACHINE; 6-32 X 0.312 L,PNH,STL CAD PLT,T15
-25	146-0109-00			1	BATTERY,DRY; 3.0V,LITHIUM MANGANESE DIOXIDE,210MAH,20 X 3.22MM COIN CELL WITH SOLDER TABS,CR2032-1HF1
-26	131-6521-00			3	CONTACT,ELEC; EMI,CLIP-ON,0.38 L X 0.500 W (2 CONTACTS) X 0.45 H,ELECTROLESS NICKEL PLATE
-27	407-4999-00			1	BRACKET; FAN MOUNTING,0.050 AL,SAFETY CONTROLLED
-28	650-5134-00			1	LCD & DISPLAY SHIELD, ASSY;WFM7120, WFM7020, WFM6120
-29	214-5152-00			2	SPRING,CLIP; EMI

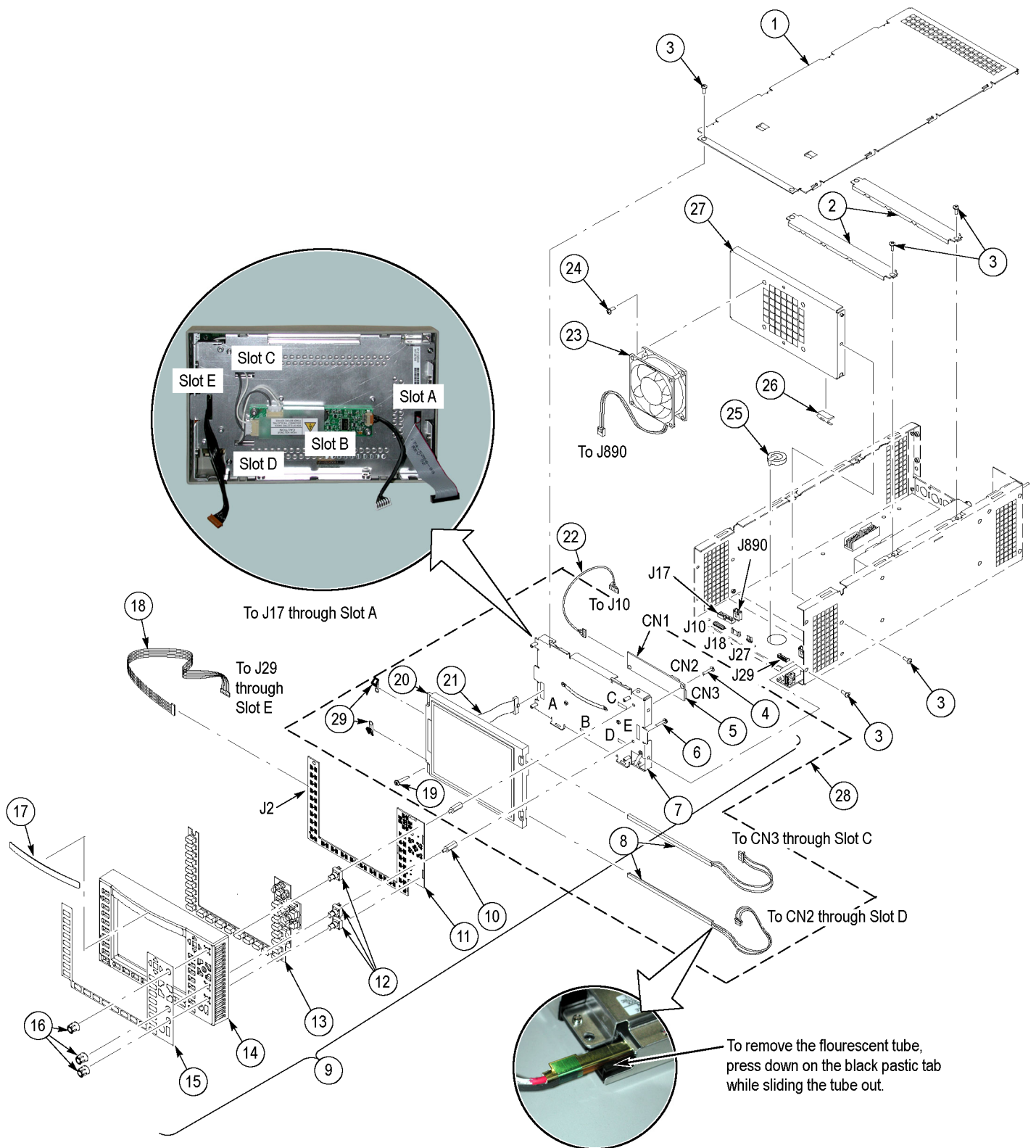


Figure 5-3: Chassis components (B029999 and below)

Table 5-4: Replaceable parts list (See Figure 5-4.)

Fig. & index number	Tektronix part number	Serial no. effective	Serial no. discont'd	Qty	Name & description
5-4					Main Board
-1	159-5022-00			7	FUSE; 5.0A,125V,FAST BLOW,0.1 X 0.1 X 0.24,UL REG,CSA CERT;451005,SAFETY CONTROLLED
-2	260-5015-00			1	SWITCH, PUSH; SPST, TACT;50MA, 50V, MOMENTARY, SILVER CONTACTS;KSC221G, GULLWING SMD
-3	159-5018-00			1	FUSE; 3.0A,125V,FAST BLOW,0.1 X 0.1 X 0.24,UL REG,CSA CERT,SAFETY CONTROLLED
-4	159-5003-00			1	FUSE, THRM,CHIP; SELF RESETTING FUSE,1.1A HOLD,2.2A TRIP AT 20 DEG C,30V MAX,SAFETY CONTROLLED
-5	159-5014-00			1	FUSE; 2.0A,125V,FAST BLOW,0.1 X 0.1 X 0.24,UL REG,CSA CERT,SAFETY CONTROLLED

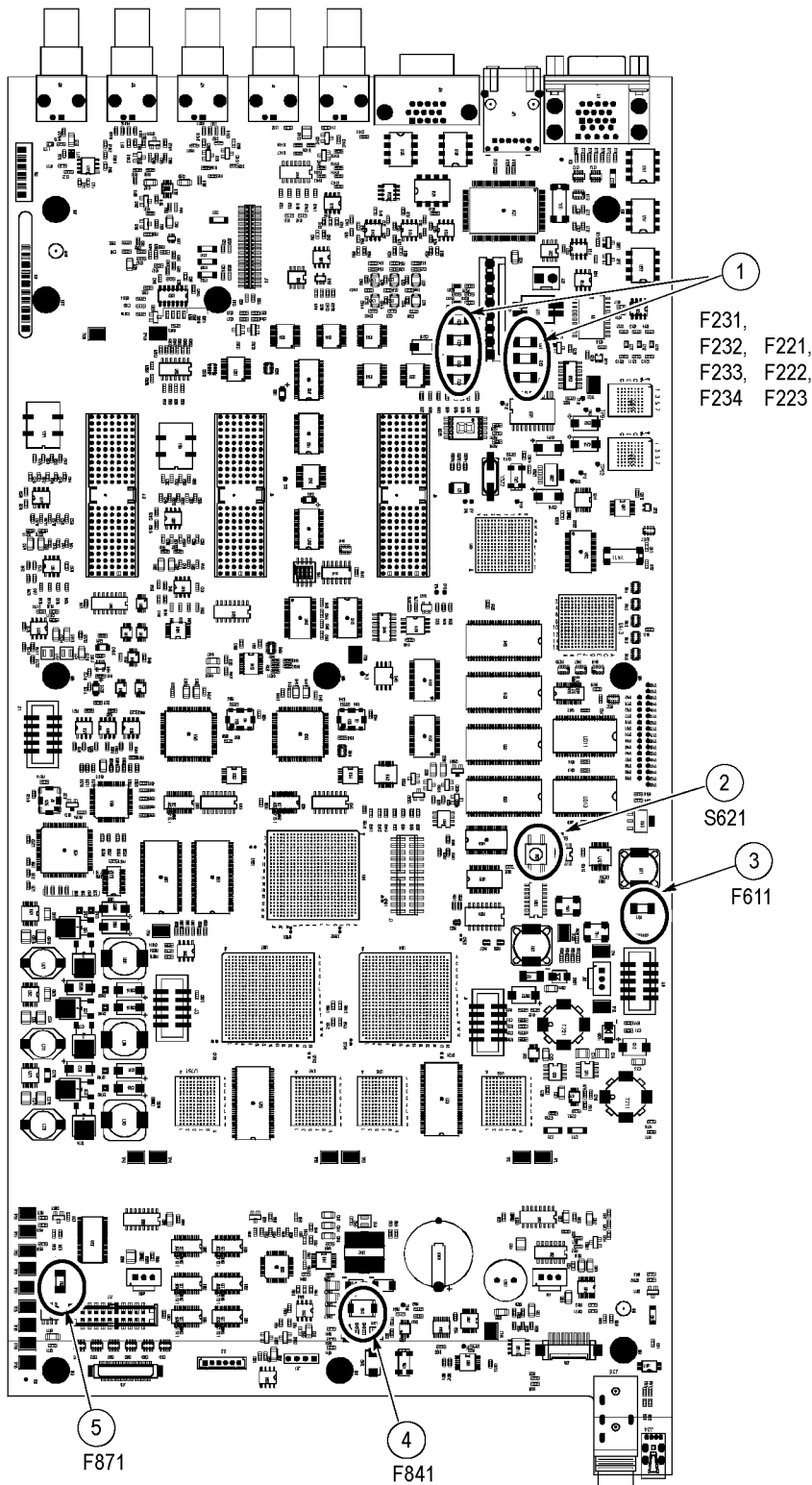


Figure 5-4: Main board replaceable components

Table 5-5: Replaceable parts list (See Figure 5-5.)

Fig. & index number	Tektronix part number	Serial no. effective	Serial no. discont'd	Qty	Name & description
5-5					ANALOG AUDIO BREAKOUT CABLE <i>Note: Optional Accessory</i>
-1	012-1658-00			1	CABLE ASSEMBLY; ANALOG/AUDIO BREAKOUT
-2	200-4804-00			1	COVER; SHIELD,ELEC CONN,37 POS DSUB,ZINC
-3	131-0422-00			1	CONN,DSUB; SLDR CUP/PNL,;MALE,STR,37 POS,0.112 CTR,0.186 H X 0.126 TAIL,0.125 DIA THRU MTG,;

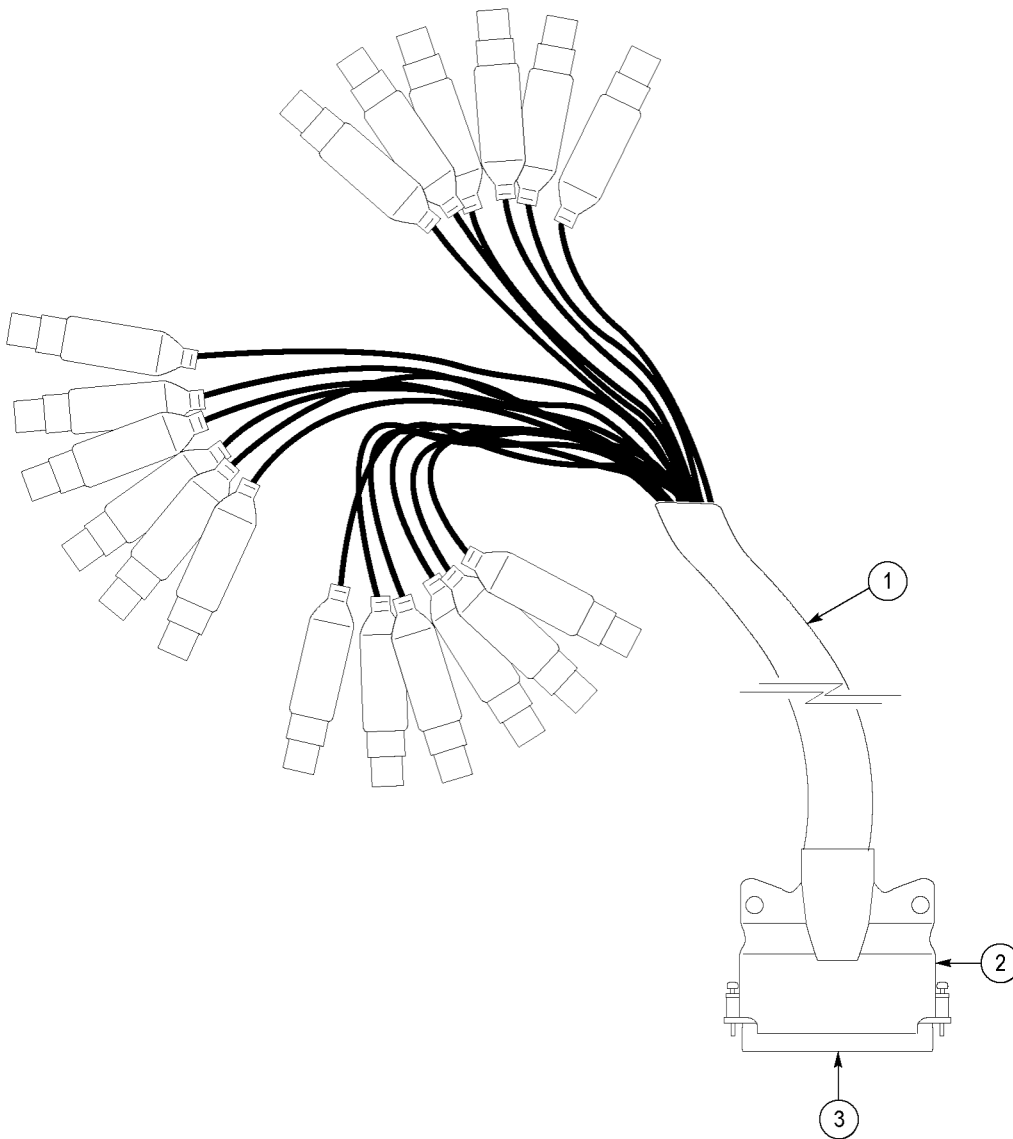


Figure 5-5: Analog audio breakout cable assembly

Table 5-6: Accessories

Fig. & index number	Tektronix part number	Serial no. effective	Serial no. discont'd	Qty	Name & description																											
Standard Accessories																																
	071-2223-xx			1	MANUAL,TECH;QUICK START USER MANUAL, ENGLISH, WFM6120/WFM7020/WFM7120																											
	071-2230-xx			1	MANUAL,TECH;RELEASE NOTES WFM6120/WFM7020/WFM7120																											
	063-4055-xx			1	DOCUMENTATION;PRODUCT CD, ENGLISH, WFM6120/WFM7020/WFM7120																											
	See Description			1	CABLE ASSY, POWER:																											
					<table border="1"> <thead> <tr> <th>Option</th> <th>Country</th> <th>P/N</th> </tr> </thead> <tbody> <tr> <td>A0</td> <td>N. AMERICA</td> <td>061-0216-00</td> </tr> <tr> <td>A1</td> <td>UNIV EURO</td> <td>161-0215-06</td> </tr> <tr> <td>A2</td> <td>UK</td> <td>161-0066-10</td> </tr> <tr> <td>A3</td> <td>AUSTRALIA</td> <td>161-0066-13</td> </tr> <tr> <td>A4</td> <td>USA 240V</td> <td>161-0066-12</td> </tr> <tr> <td>A5</td> <td>SWITZERLAND</td> <td>161-0154-00</td> </tr> <tr> <td>A6</td> <td>JAPAN</td> <td>161-A008-00</td> </tr> <tr> <td>A10</td> <td>CHINA</td> <td>161-0304-00</td> </tr> </tbody> </table>	Option	Country	P/N	A0	N. AMERICA	061-0216-00	A1	UNIV EURO	161-0215-06	A2	UK	161-0066-10	A3	AUSTRALIA	161-0066-13	A4	USA 240V	161-0066-12	A5	SWITZERLAND	161-0154-00	A6	JAPAN	161-A008-00	A10	CHINA	161-0304-00
Option	Country	P/N																														
A0	N. AMERICA	061-0216-00																														
A1	UNIV EURO	161-0215-06																														
A2	UK	161-0066-10																														
A3	AUSTRALIA	161-0066-13																														
A4	USA 240V	161-0066-12																														
A5	SWITZERLAND	161-0154-00																														
A6	JAPAN	161-A008-00																														
A10	CHINA	161-0304-00																														
Optional Accessories																																
	WFM7F02				CABINET; PORTABLE CABINET WITH HANDLE,FEET,TILT BAIL AND FRONT PANEL COVER																											
	200-4716-00				COVER,FRONT; PROTECTIVE,PC/ABS FR110,TV GRAY																											
	WFM7F05				RACK ADAPTER; DUAL SIDE BY SIDE FOR WFM700,1700 SERIES AND WFM601 SERIES																											
	071-2227-xx				MANUAL,TECH;SERVICE MANUAL, WFM6120/WFM7020/WFM7120																											
	012-1658-00				CABLE ASSEMBLY; ANALOG/AUDIO BREAKOUT																											